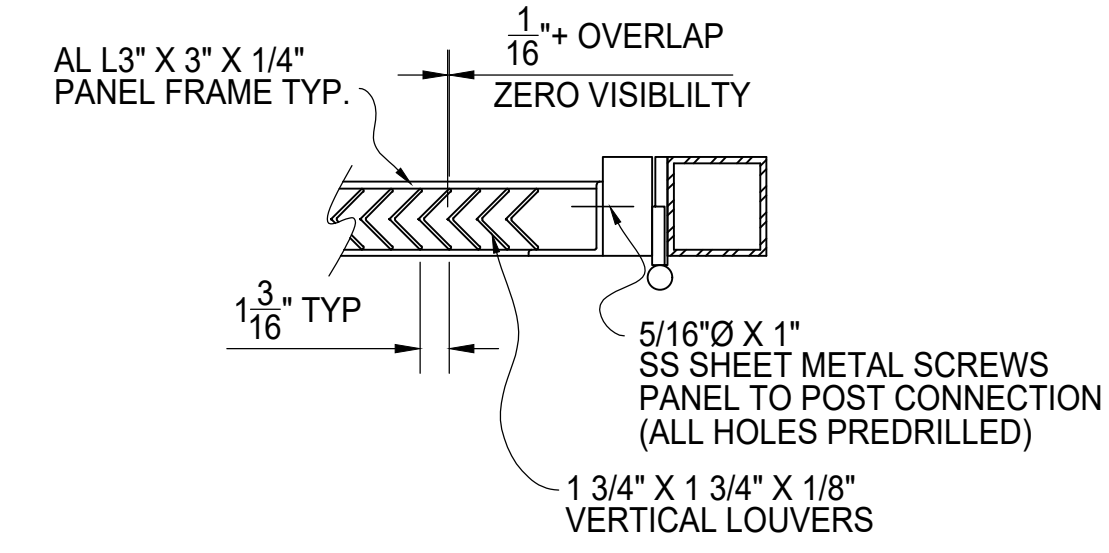
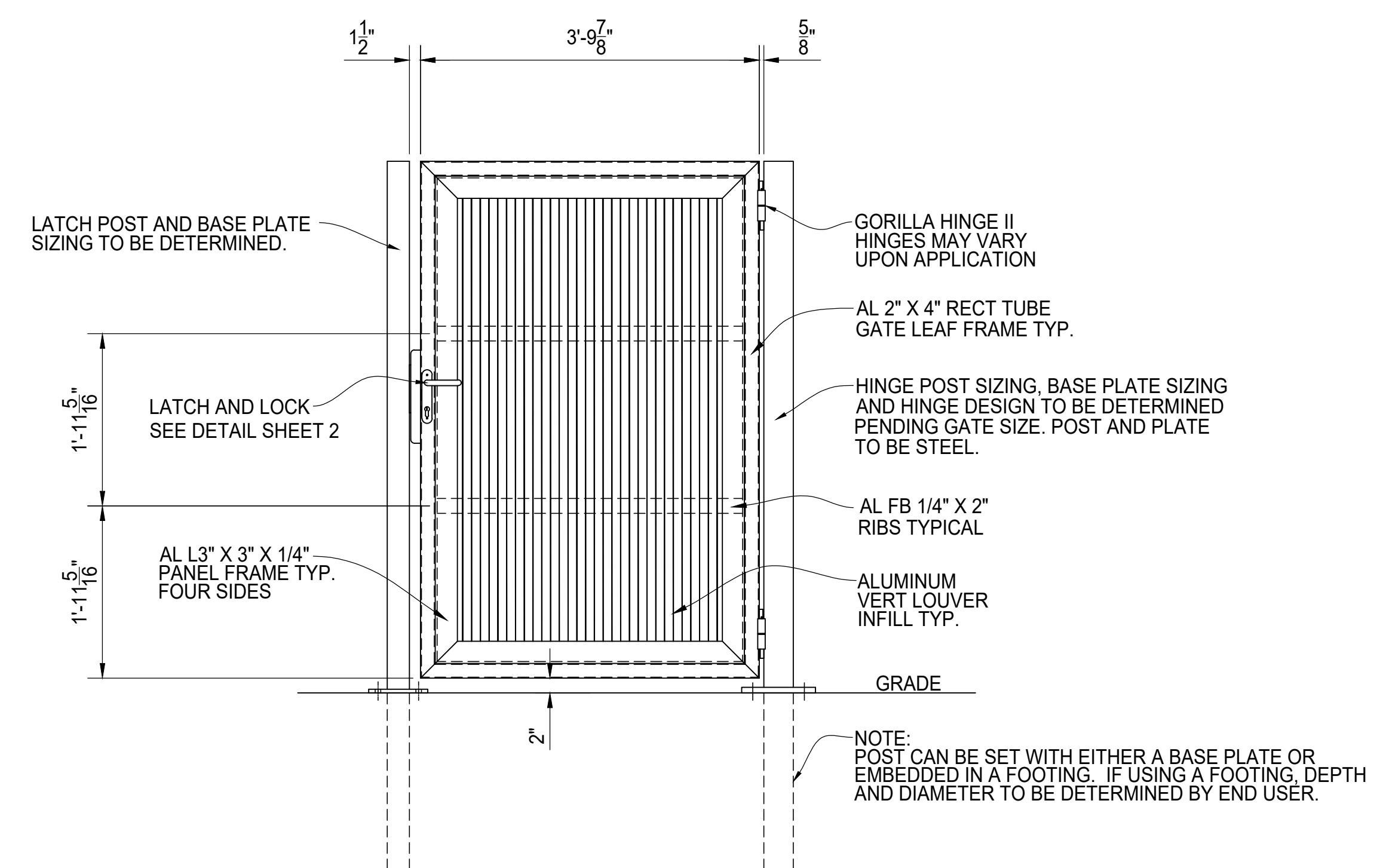


PLAN VIEW

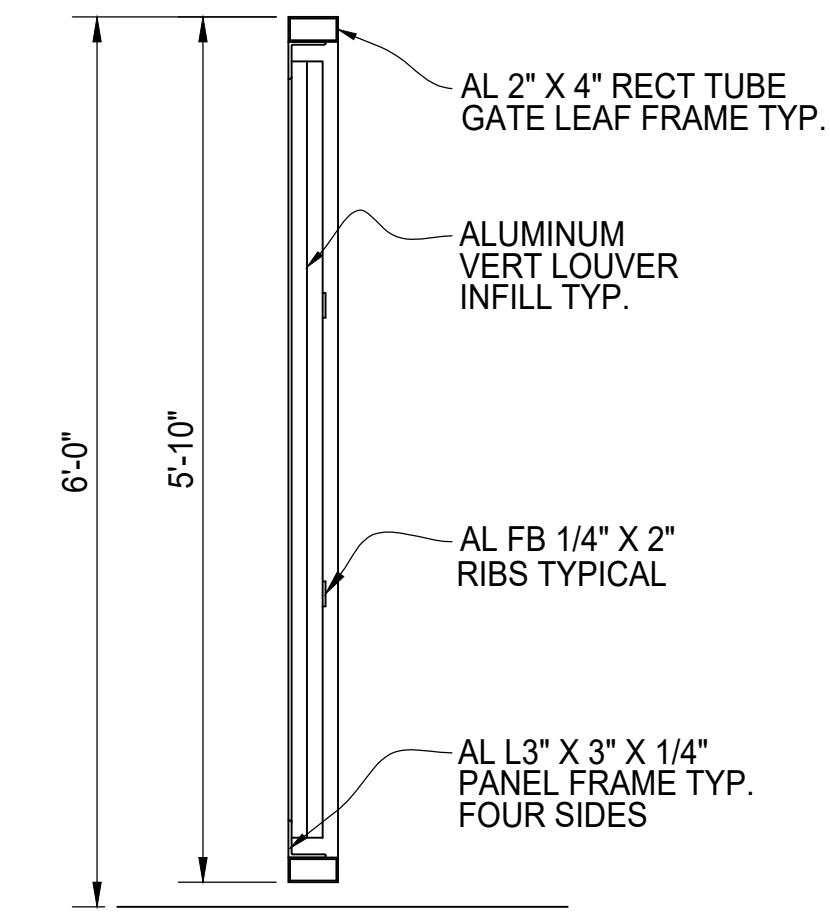


TYPICAL SECTION DETAIL



ELEVATION VIEW

SINGLE SWING GATE ASSEMBLY
HINGE SIDE AND OPENING DIRECTION MAY VARY
SEE DETAIL SHEET 2 FOR HINGE AND LATCH



SIDE VIEW

GATE SECTION



**MAXIMUS 6' TALL
VERTICAL LOUVER INFILL
SINGLE SWING 4' WIDE GATE
GATE ELEVATION**