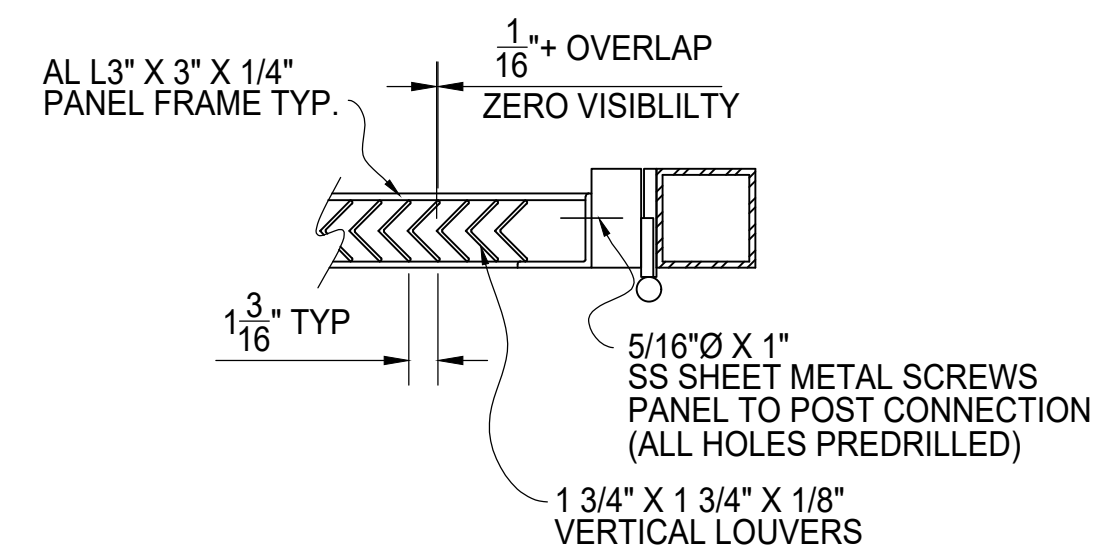
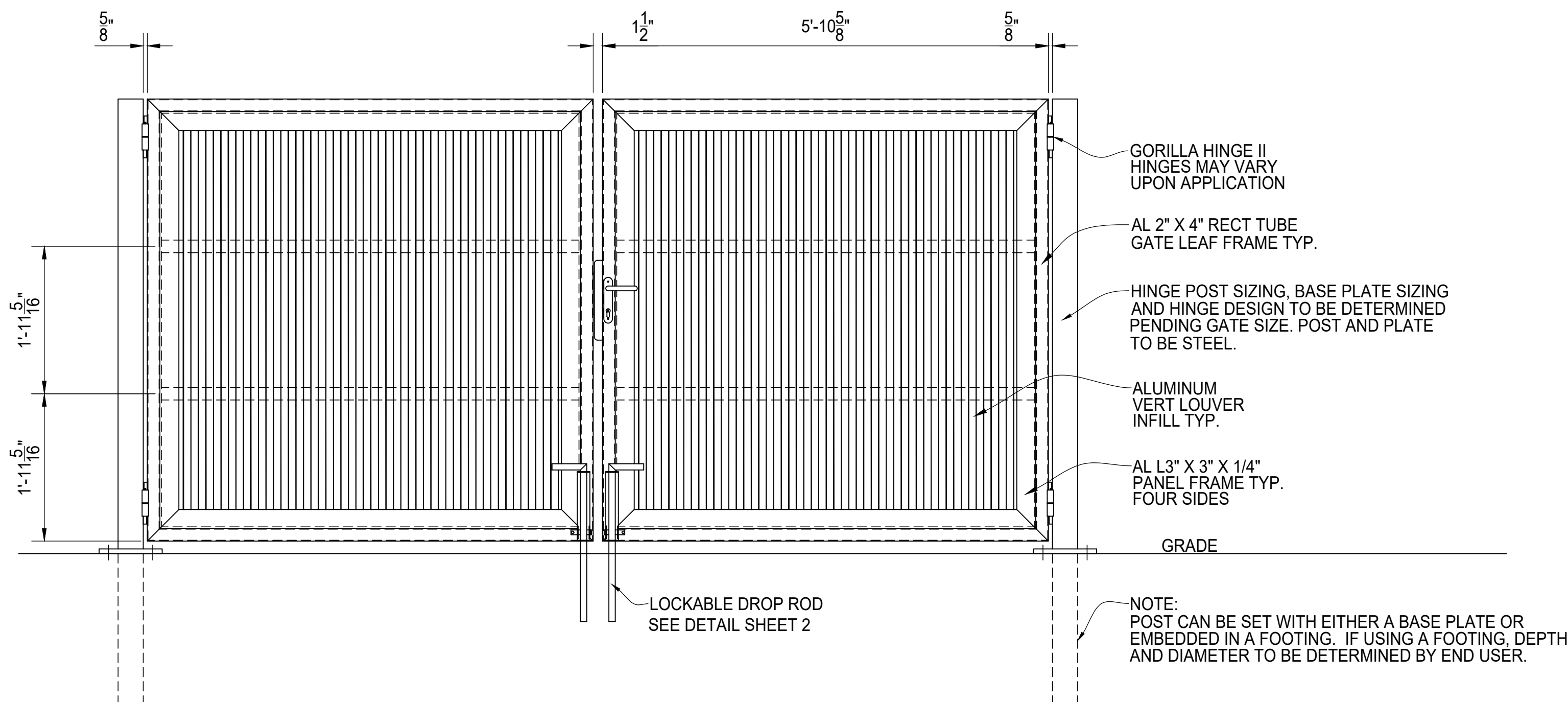


PLAN VIEW

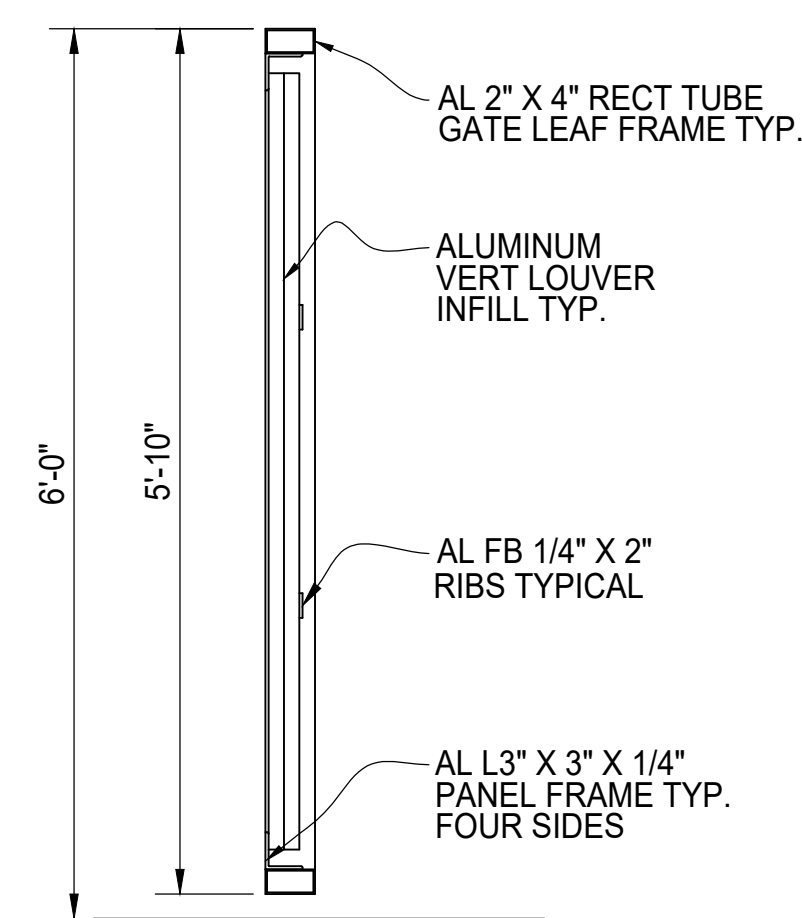


TYPICAL SECTION DETAIL



ELEVATION VIEW

DOUBLE DRIVE GATE ASSEMBLY
SEE DETAIL SHEET 2 FOR HINGE, LATCH AND DROP ROD



SIDE VIEW

GATE SECTION



MAXIMUS 6' TALL
VERTICAL LOUVER INFILL
12' WIDE DOUBLE DRIVE
GATE ELEVATION

AMERICAN FENCE PROJECT #	CLIENT PROJECT #
REFERENCE JOB #	
SCALE TO 1/8"=1'-0"	SCALE: N.T.S.
DRAWN BY: PB	DATE: 03/30/2020
CHKD BY:	REV: .
	SHEET # 01