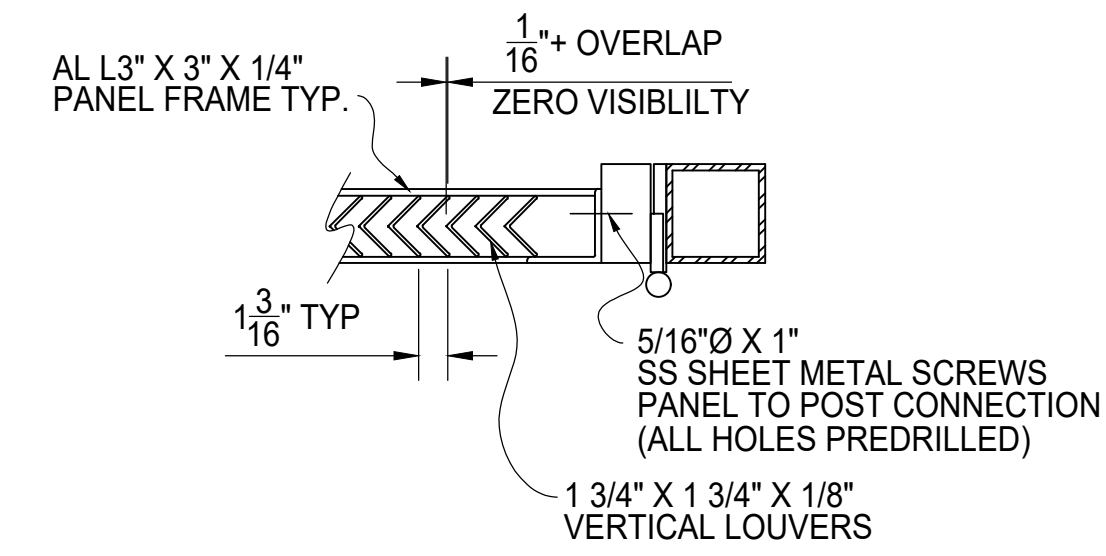
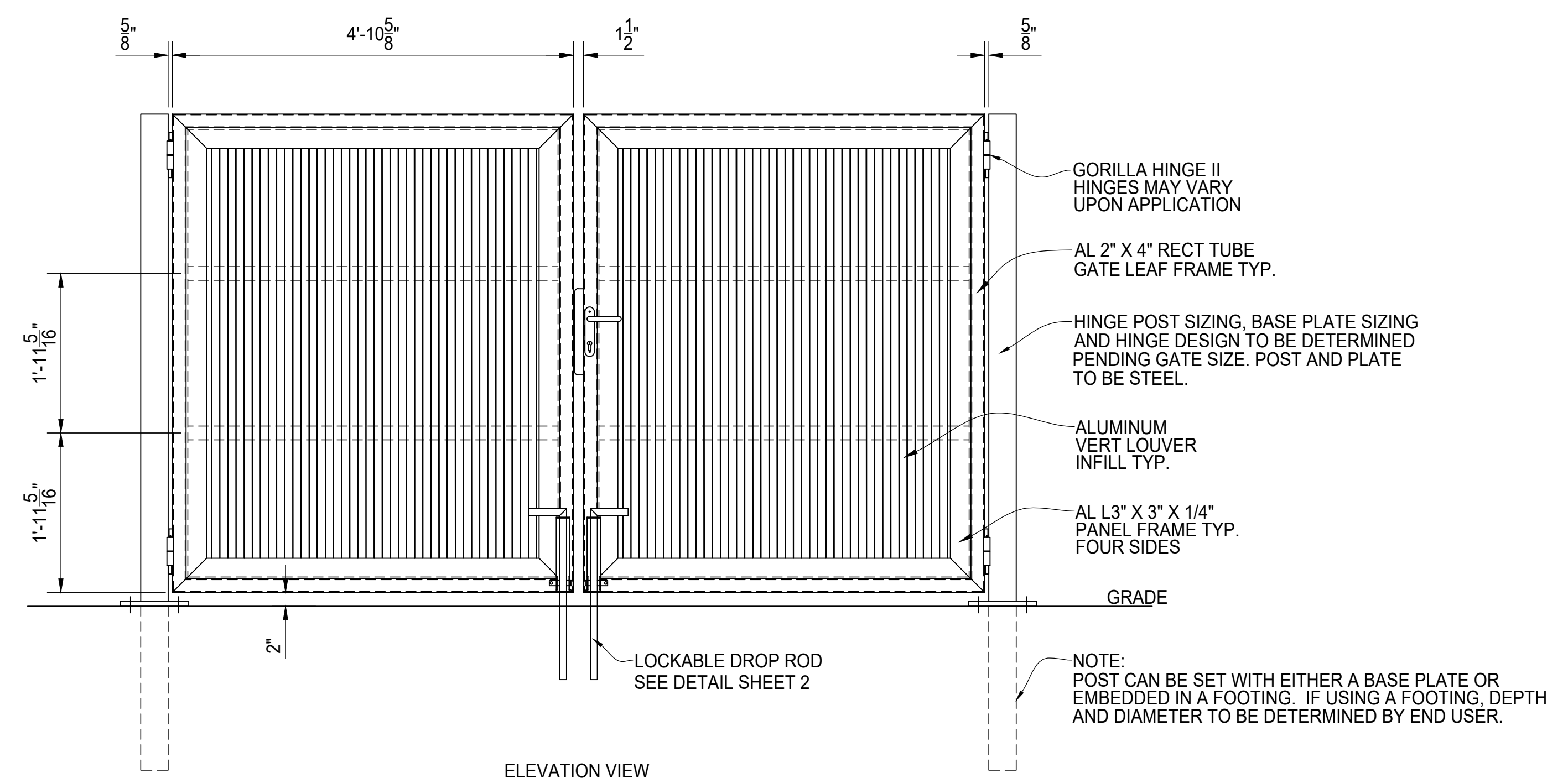


PLAN VIEW

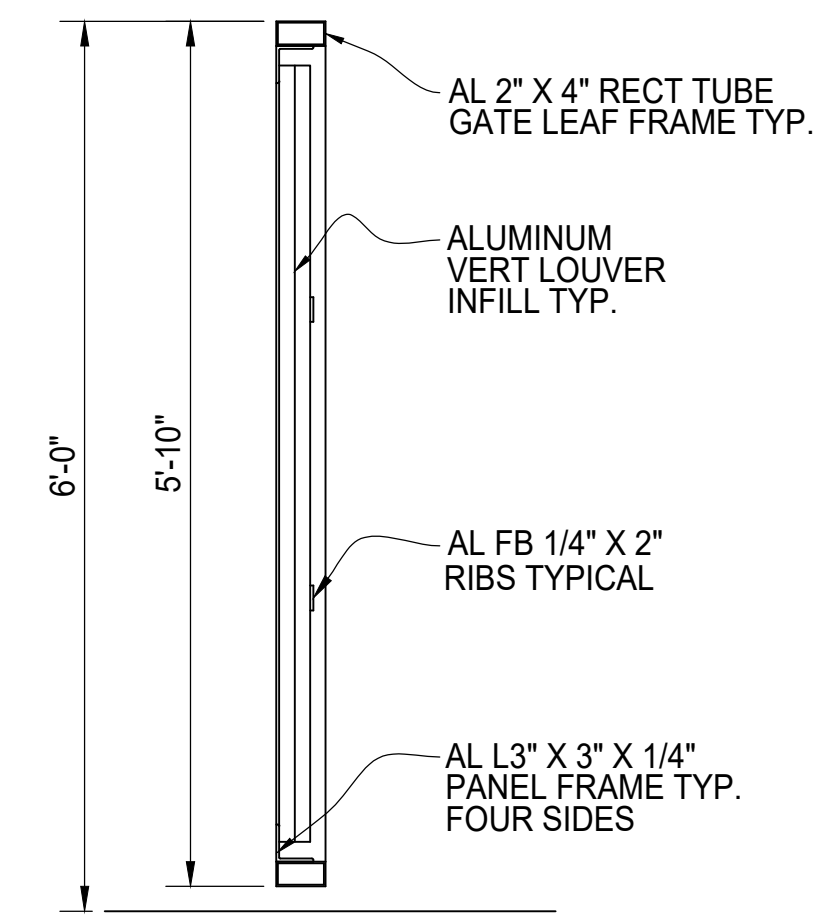


TYPICAL SECTION DETAIL



ELEVATION VIEW

DOUBLE DRIVE GATE ASSEMBLY
SEE DETAIL SHEET 2 FOR HINGE, LATCH AND DROP ROD



SIDE VIEW

GATE SECTION



MAXIMUS 6' TALL
VERTICAL LOUVER INFILL
10' WIDE DOUBLE DRIVE
GATE ELEVATION