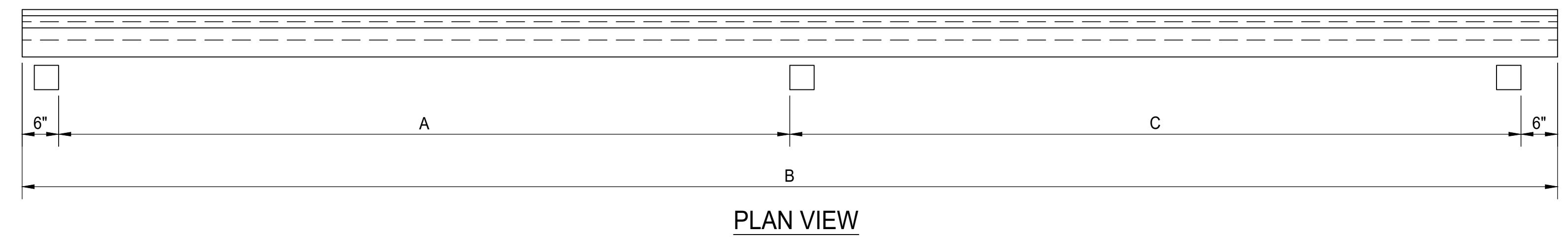
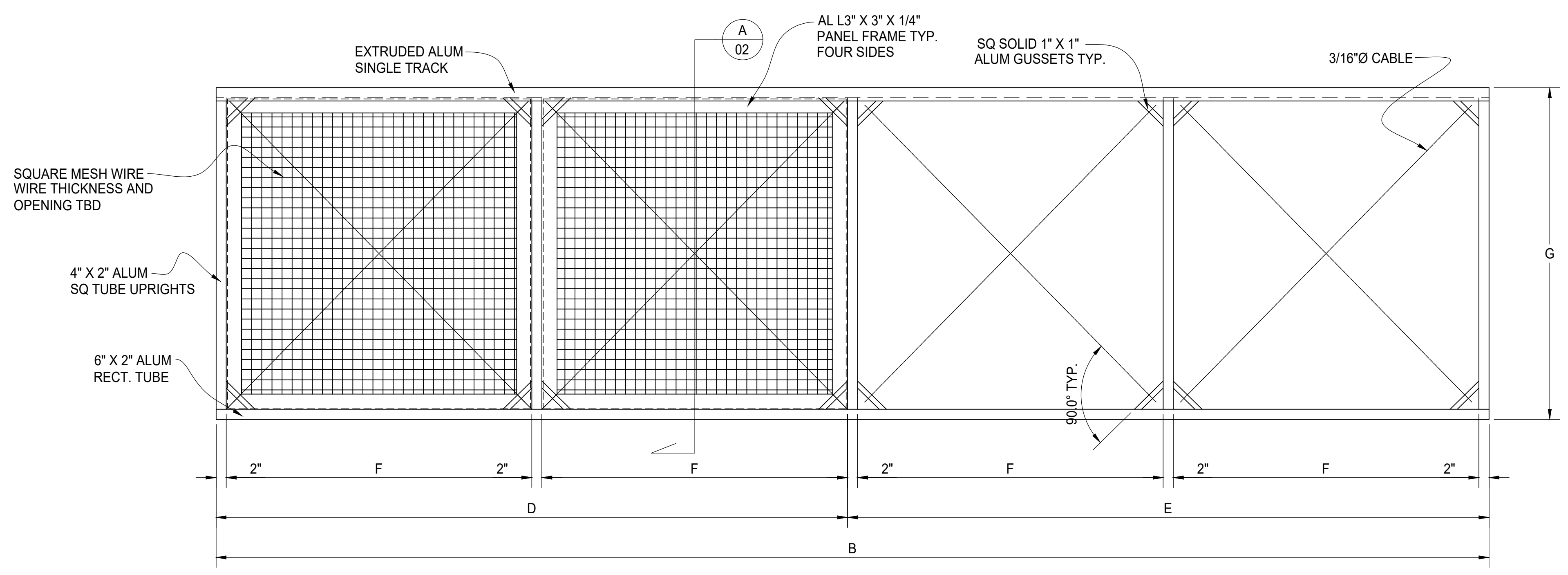


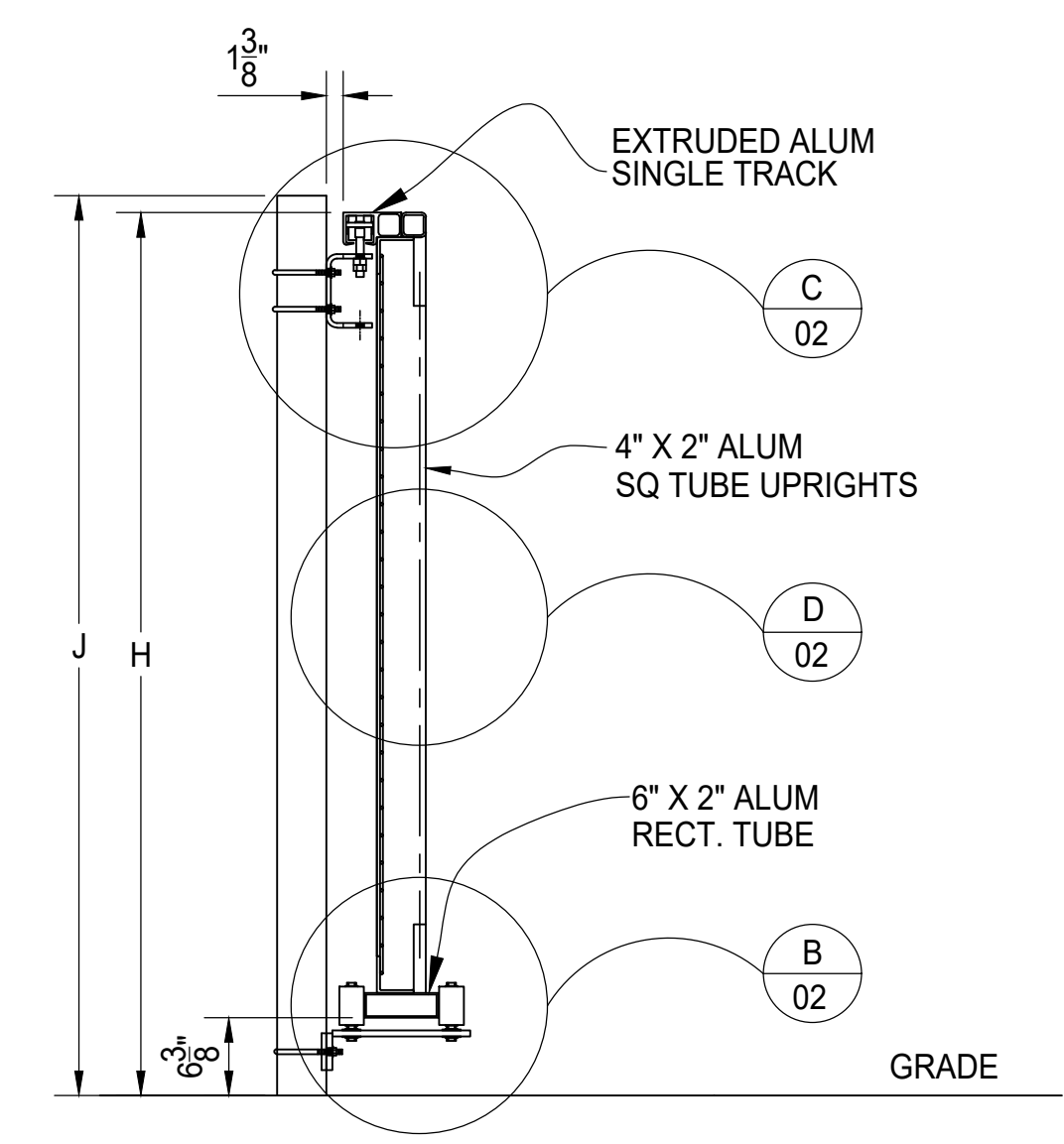
"A" INSIDE TO INSIDE CLEAR OPENING	
"B" LEAF WIDTH	
"C" TAIL SECTION POST SPACING	
"D" OPENING SECTION PANEL WIDTH	
"E" TAIL SECTION PANEL WIDTH	
"F" MULLION INSIDE TO INSIDE SPACING	
"G" GATE LEAF HEIGHT	
"H" GRADE TO TOP HEIGHT	
"J" FINIAL HEIGHT	
WIRE MESH SCREENING MATERIAL?	
CORE WIRE DIAMETER?	
WOVEN OR WELDED?	
SQUARE SIZE?	
GATE SLIDES AS SHOWN?	
COLOR/FINISH?	
MATERIAL?	
ADDITIONAL INFORMATION:	



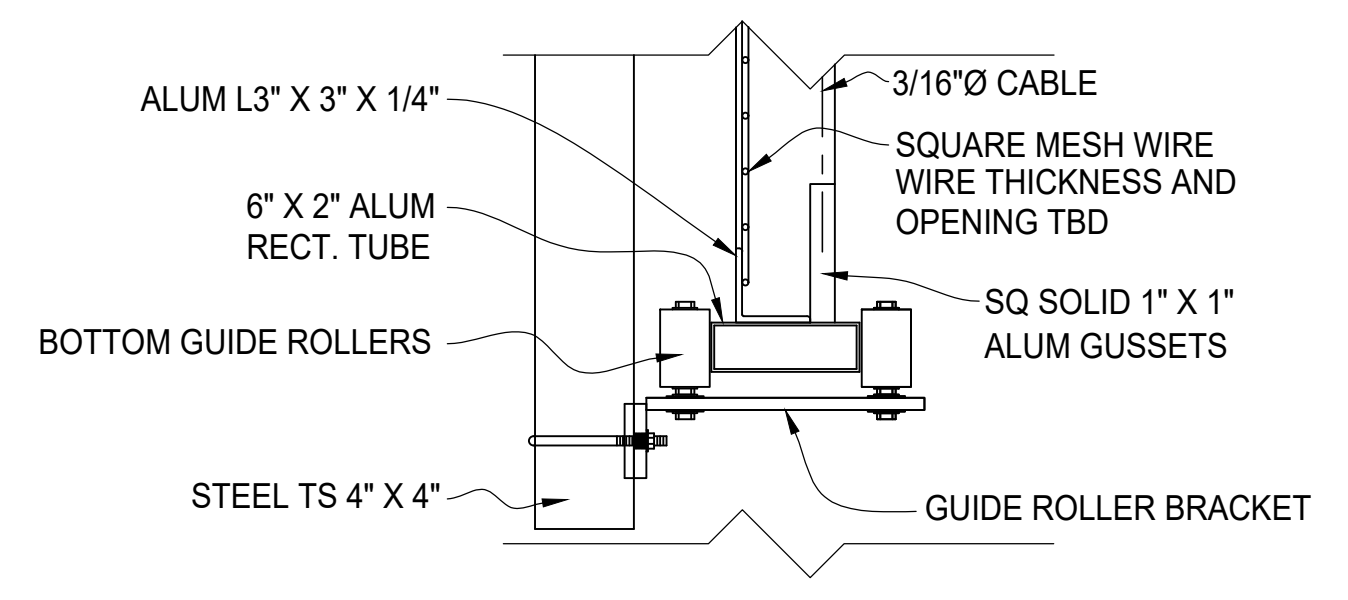
PLAN VIEW



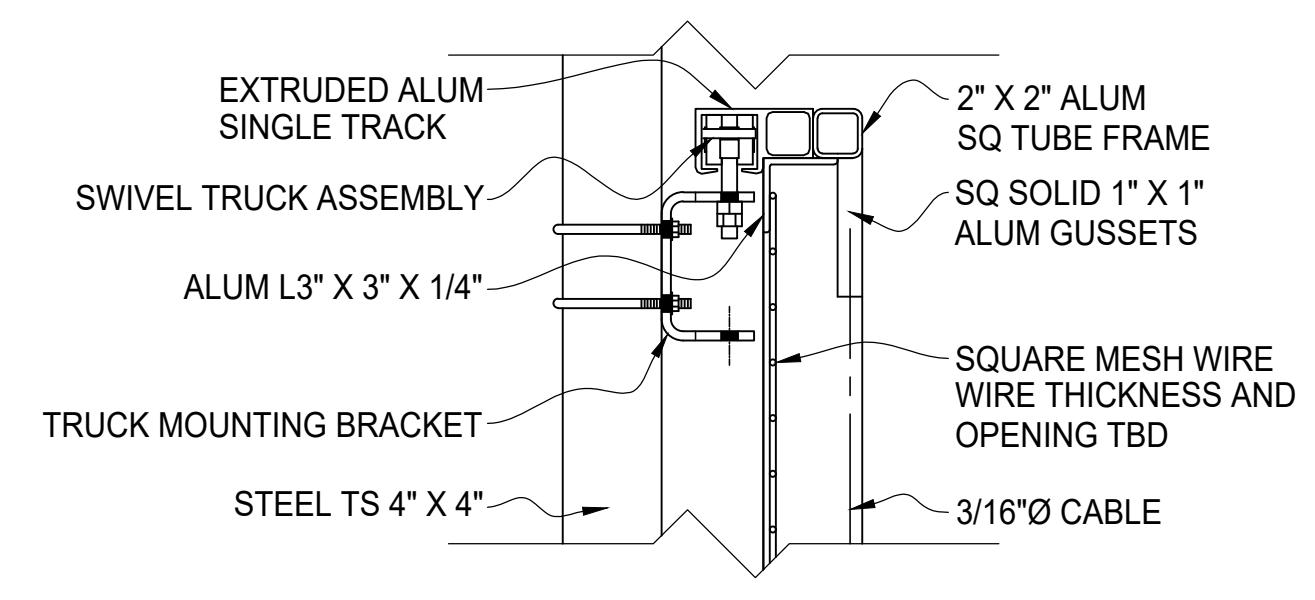
ELEVATIONVIEW
SLIDING CANTILEVER GATE
OUTSIDE LOOKING IN



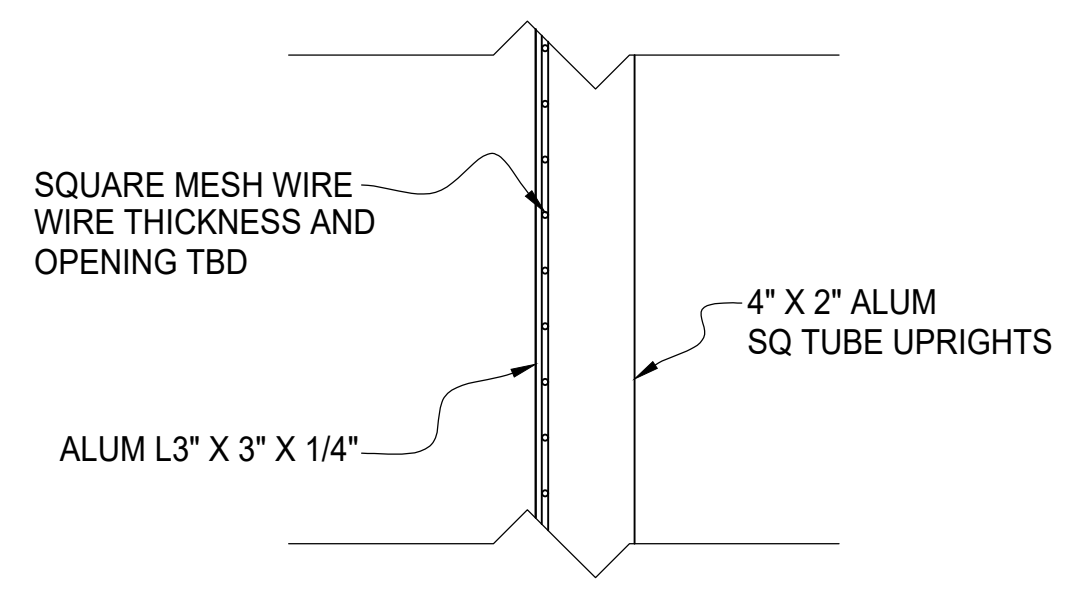
SECTION A



DETAIL B



DETAIL C



DETAIL D



TIGER 6' TALL
WIRE MESH INFILL
10' WIDE SINGLE TRACK
SLIDE GATE ELEVATION