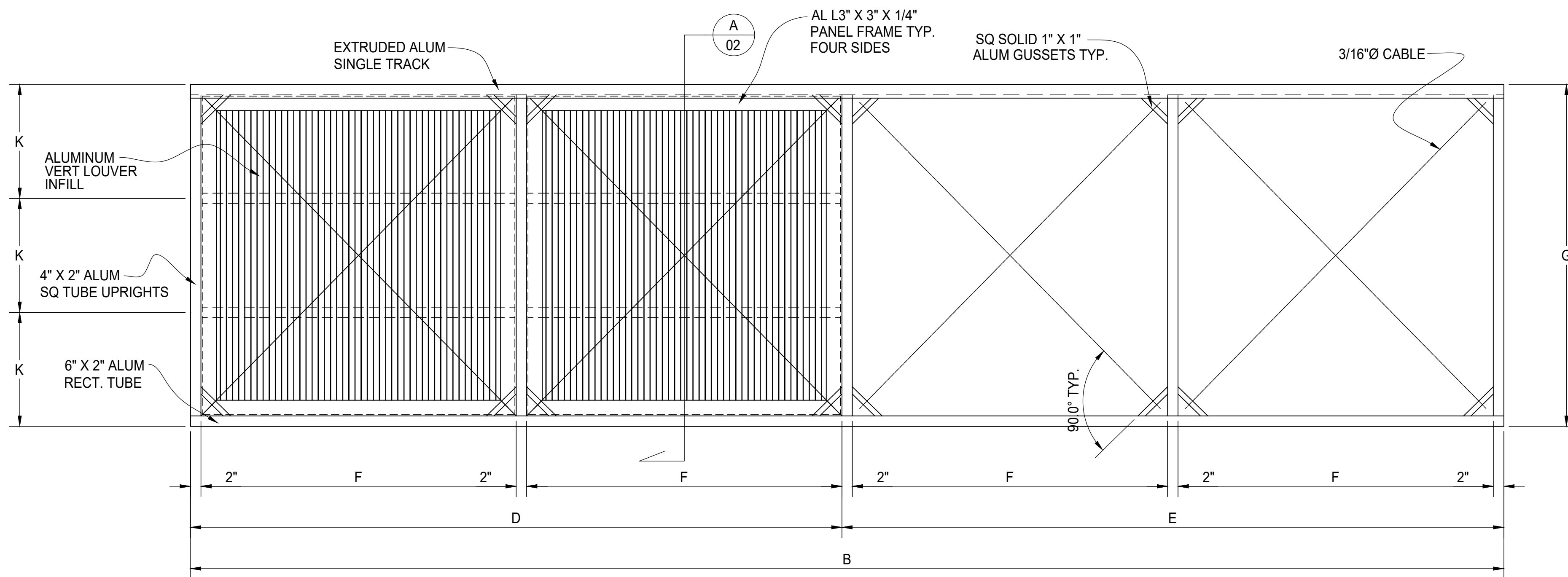
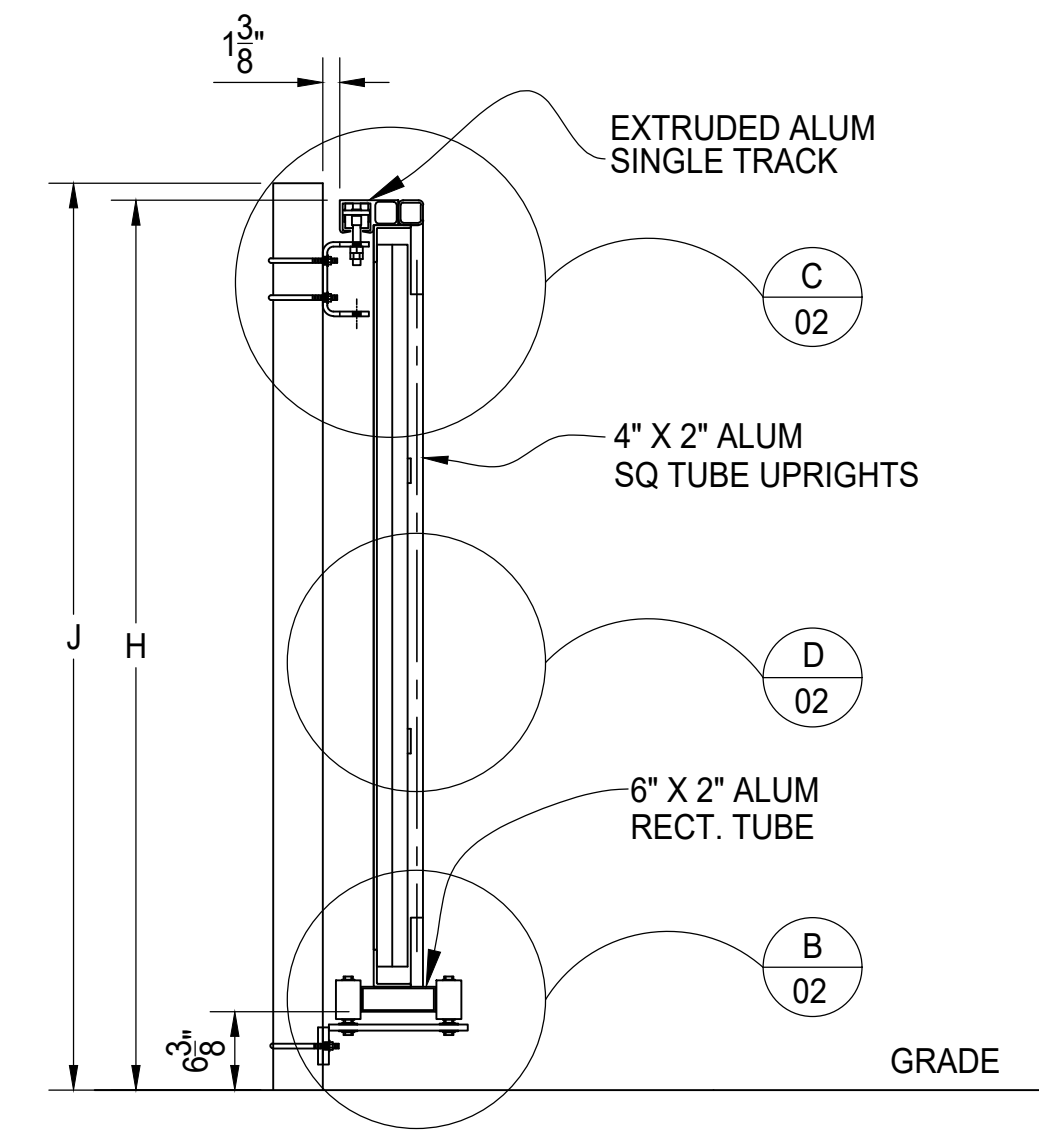


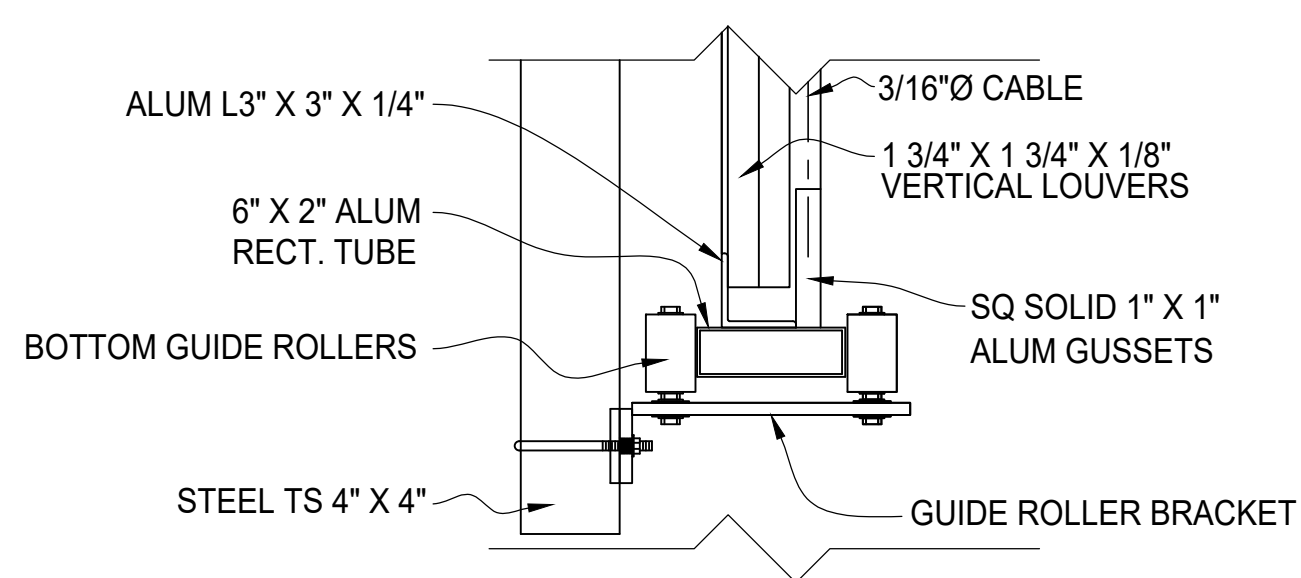
PLAN VIEW



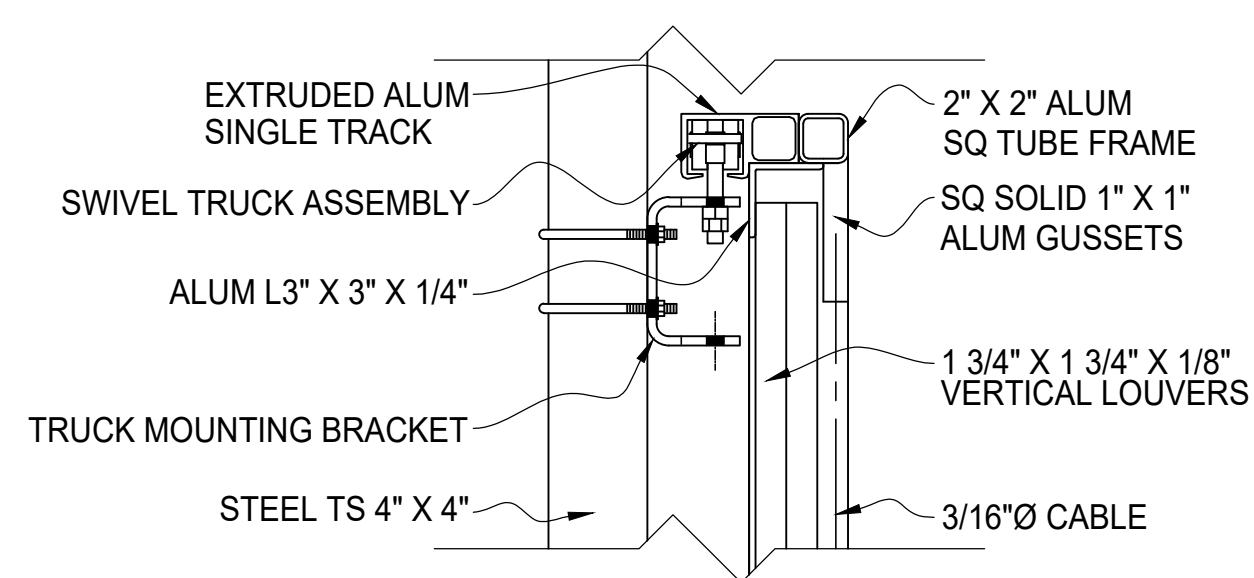
ELEVATIONVIEW  
SLIDING CANTILEVER GATE  
OUTSIDE LOOKING IN



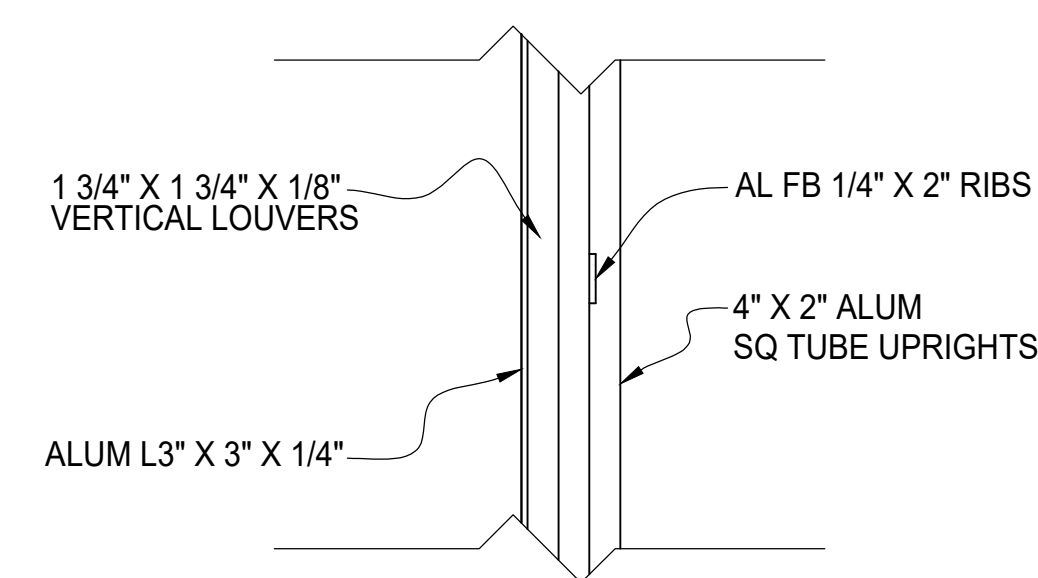
A SECTION



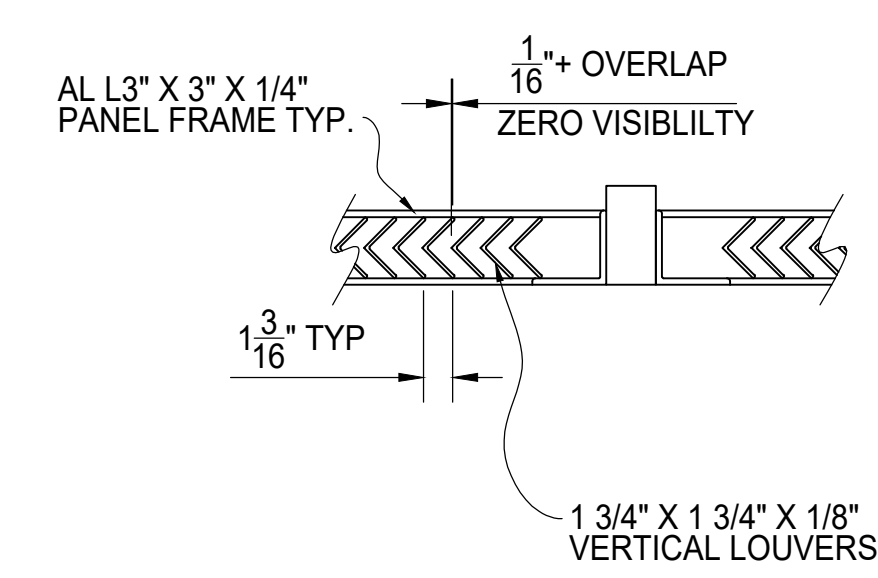
B DETAIL



C DETAIL



D DETAIL



E DETAIL

*A* INSIDE TO INSIDE CLEAR OPENING	
*B* LEAF WIDTH	
*C* TAIL SECTION POST SPACING	
*D* OPENING SECTION PANEL WIDTH	
*E* TAIL SECTION PANEL WIDTH	
*F* MULLION INSIDE TO INSIDE SPACING	
*G* GATE LEAF HEIGHT	
*H* GRADE TO TOP HEIGHT	
*J* FINIAL HEIGHT	
*K* RIB SPACING CENTER TO CENTER	
GATE SLIDES AS SHOWN?	
COLOR/FINISH?	
MATERIAL?	
ADDITIONAL INFORMATION:	



TIGER 6' TALL  
VERTICAL LOUVER INFILL  
10' WIDE SINGLE TRACK  
SLIDE GATE ELEVATION