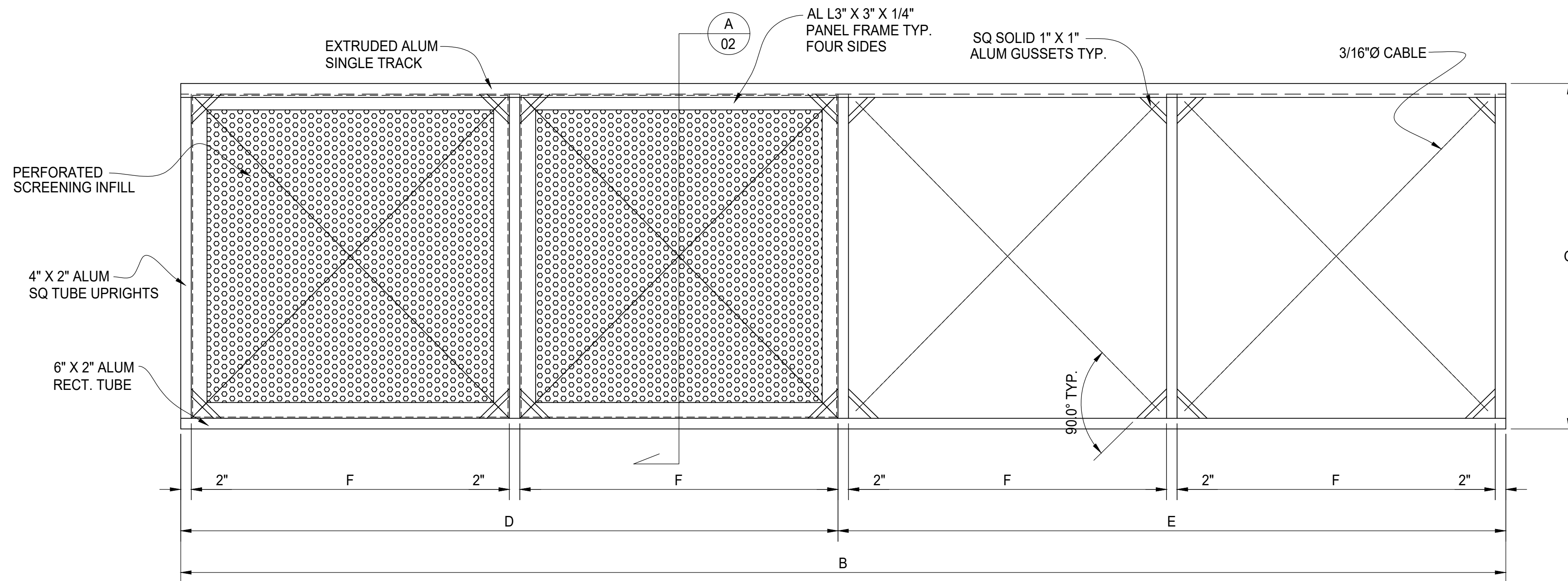
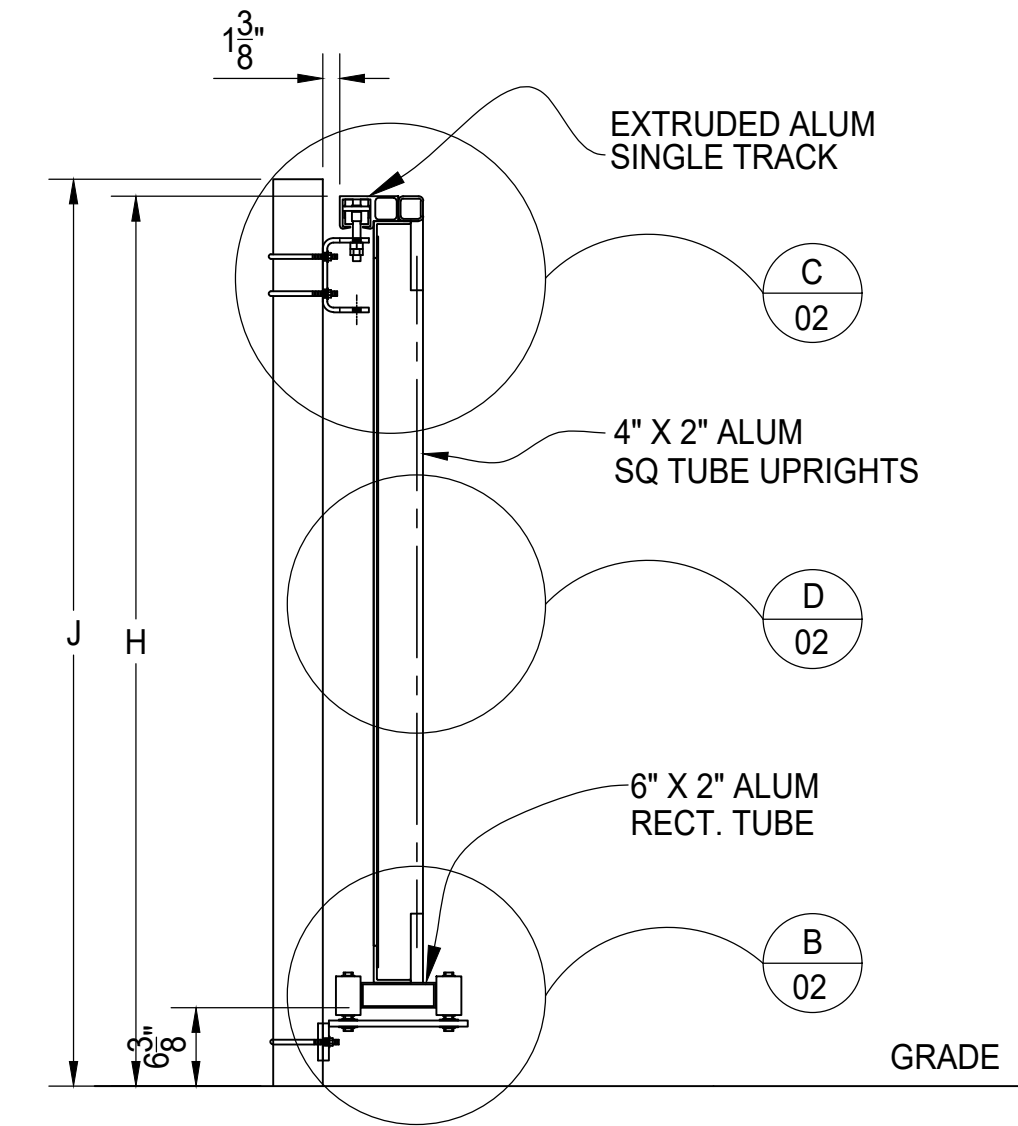


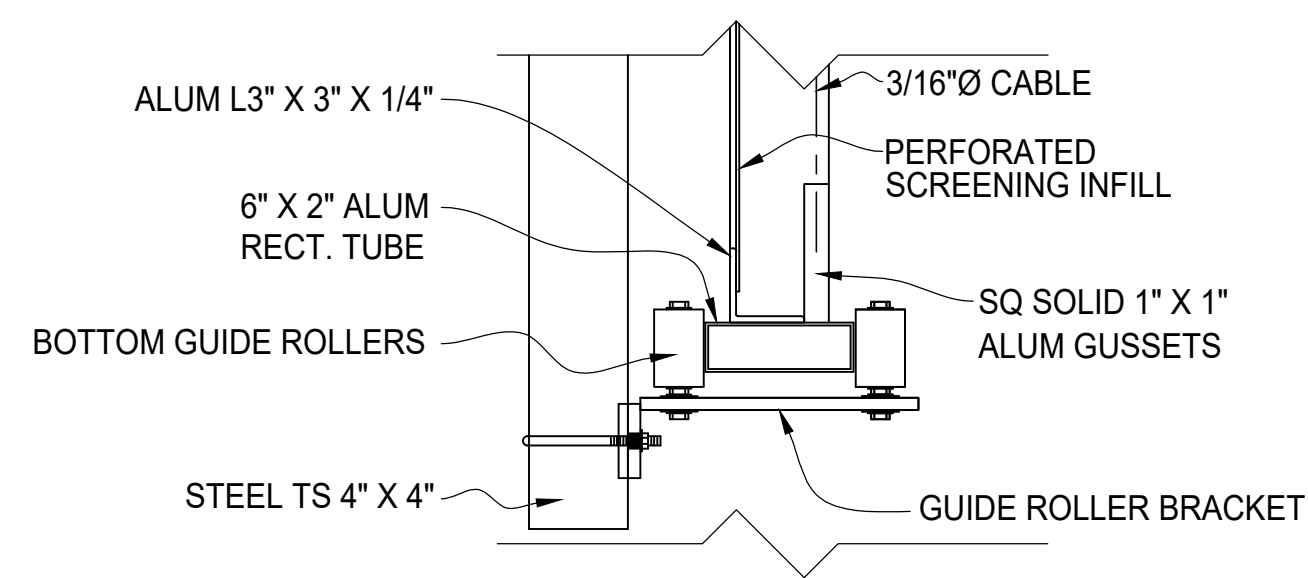
PLAN VIEW



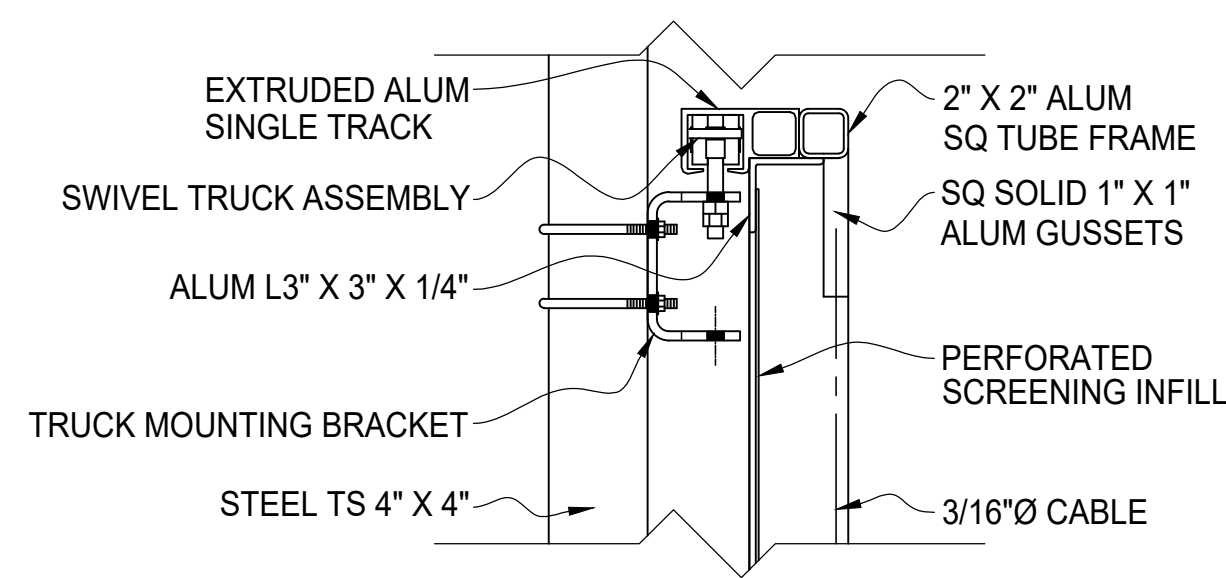
ELEVATIONVIEW
SLIDING CANTILEVER GATE
OUTSIDE LOOKING IN



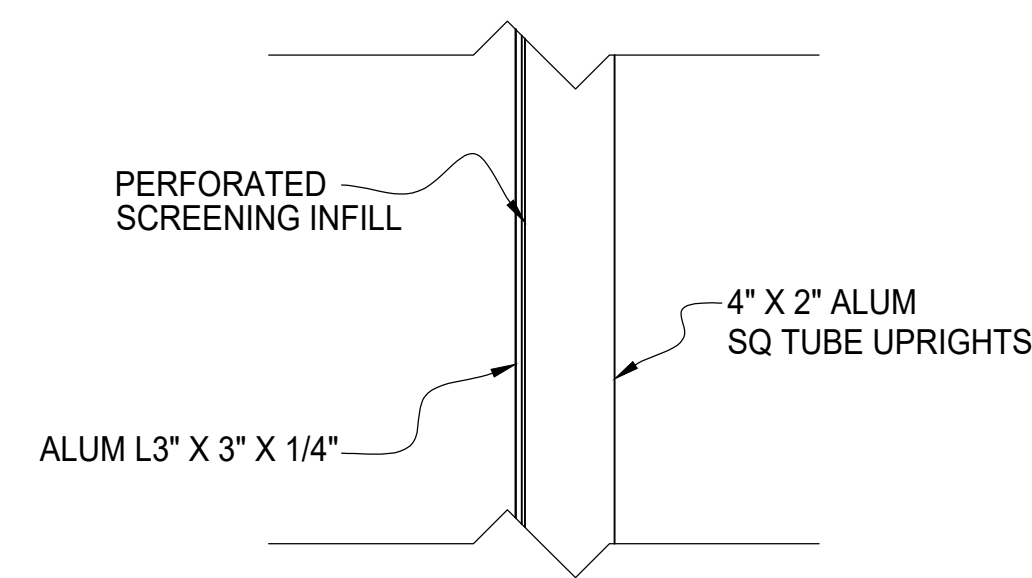
SECTION A



DETAIL B



DETAIL C



DETAIL D

"A" INSIDE TO INSIDE CLEAR OPENING	
"B" LEAF WIDTH	
"C" TAIL SECTION POST SPACING	
"D" OPENING SECTION PANEL WIDTH	
"E" TAIL SECTION PANEL WIDTH	
"F" MULLION INSIDE TO INSIDE SPACING	
"G" GATE LEAF HEIGHT	
"H" GRADE TO TOP HEIGHT	
"J" FINIAL HEIGHT	
PERFORATED SHEET MATERIAL?	
THICKNESS?	
SHAPE DESIGN?	
SHAPE SIZE?	
GATE SLIDES AS SHOWN?	
COLOR/FINISH?	
MATERIAL?	
ADDITIONAL INFORMATION:	



TIGER 6' TALL
PERFORATED SCREENING INFILL
10' WIDE SINGLE TRACK
SLIDE GATE ELEVATION