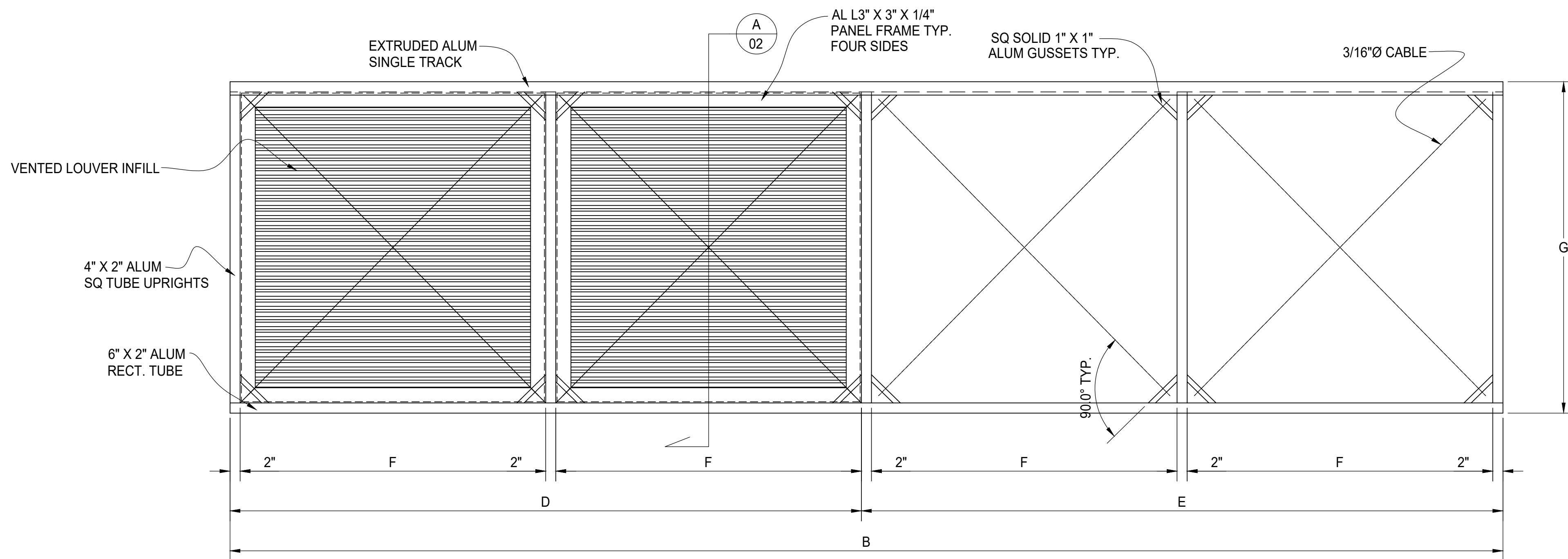
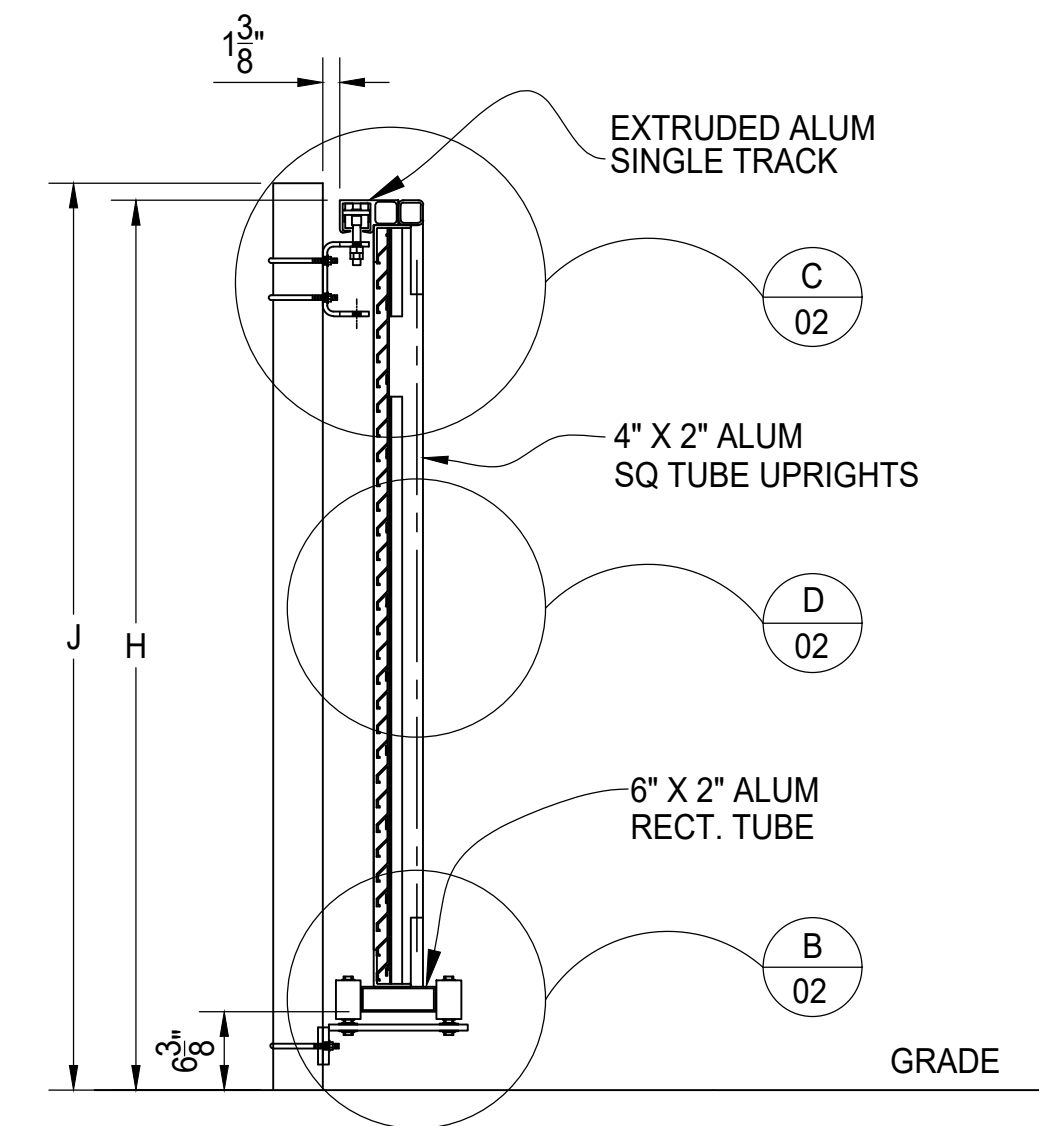


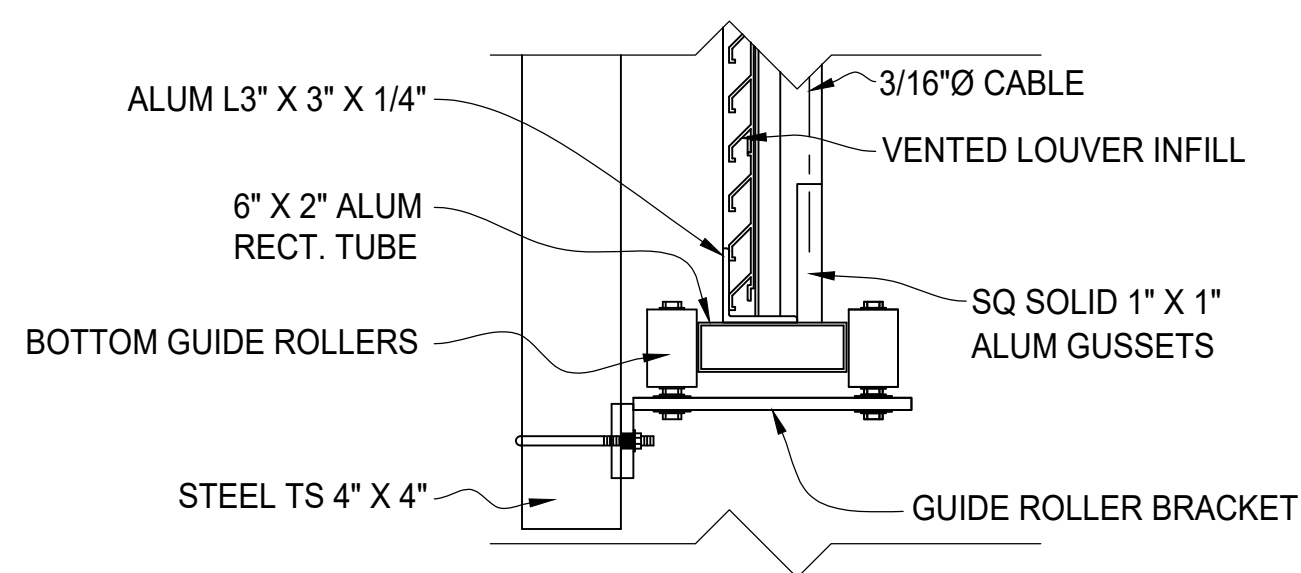
PLAN VIEW



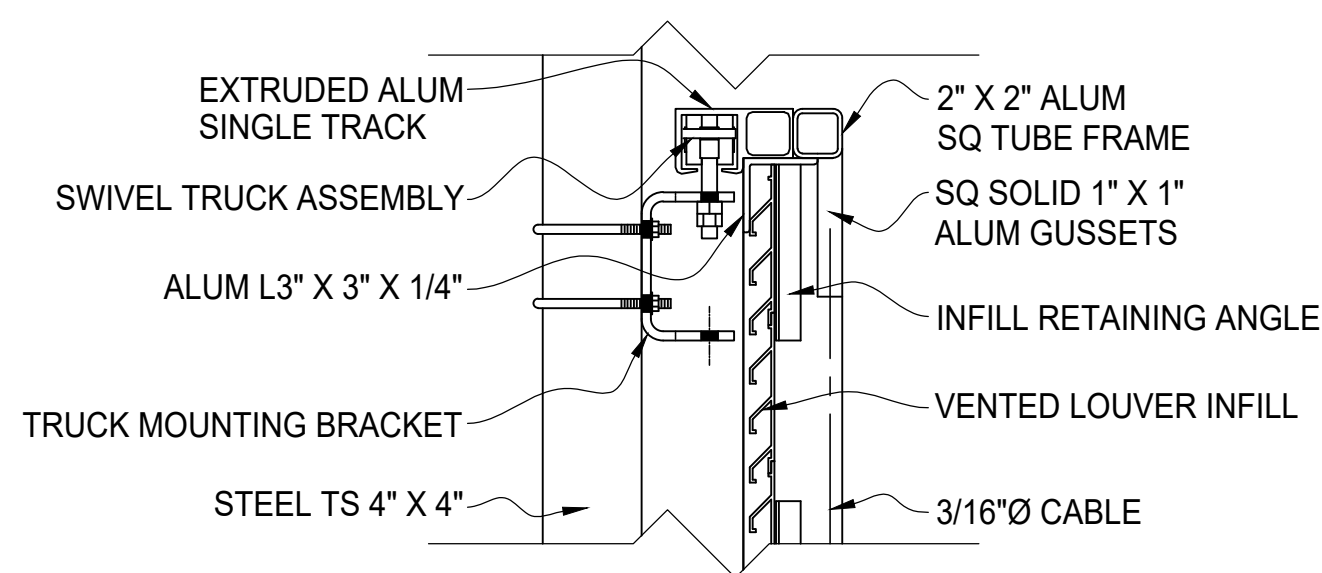
ELEVATION VIEW
SLIDING CANTILEVER GATE
OUTSIDE LOOKING IN



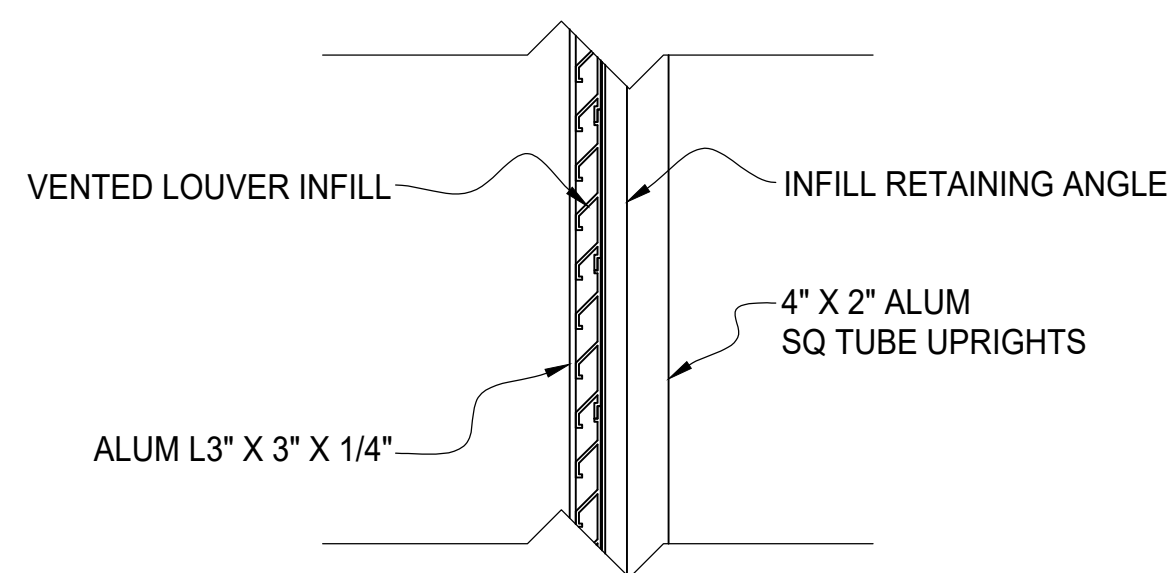
SECTION A



DETAIL B



DETAIL C



DETAIL D

"A" INSIDE TO INSIDE CLEAR OPENING	
"B" LEAF WIDTH	
"C" TAIL SECTION POST SPACING	
"D" OPENING SECTION PANEL WIDTH	
"E" TAIL SECTION PANEL WIDTH	
"F" MULLION INSIDE TO INSIDE SPACING	
"G" GATE LEAF HEIGHT	
"H" GRADE TO TOP HEIGHT	
"J" FINIAL HEIGHT	
GATE SLIDES AS SHOWN?	
COLOR/FINISH?	
MATERIAL?	
ADDITIONAL INFORMATION:	



TIGER 6' TALL
MINI-LOUVER INFILL
10' WIDE SINGLE TRACK
SLIDE GATE ELEVATION