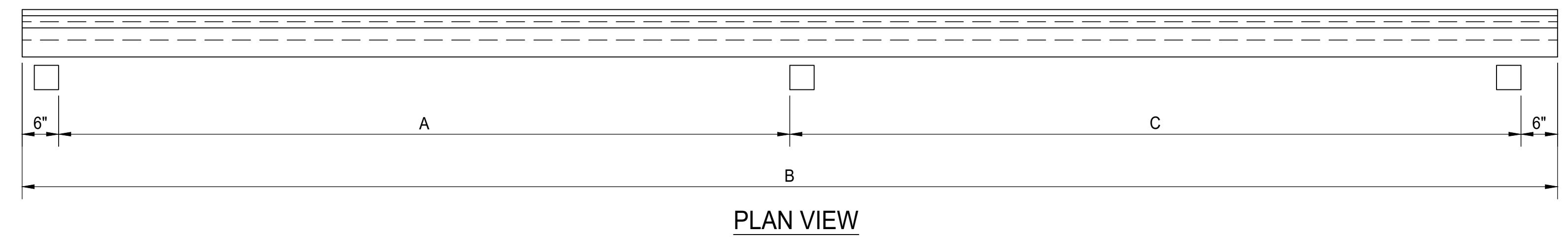
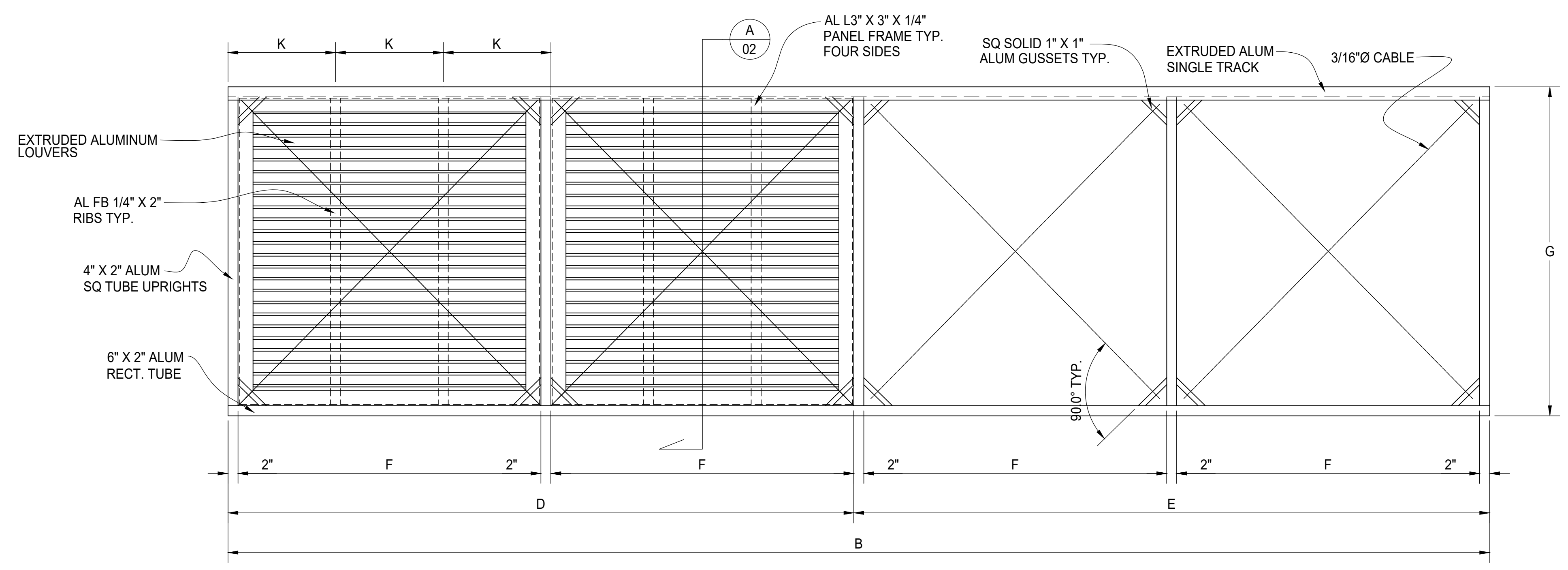


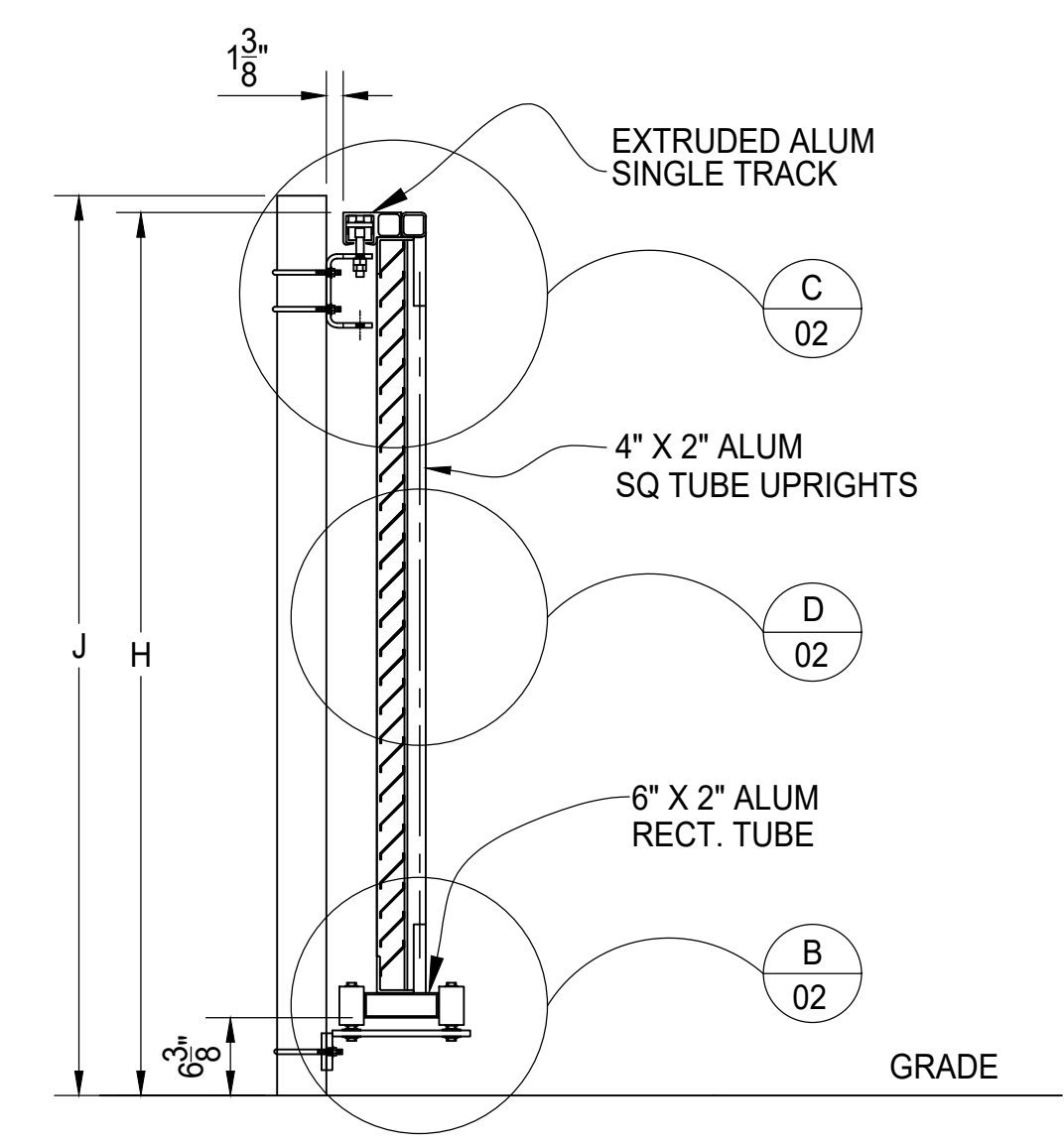
"A" INSIDE TO INSIDE CLEAR OPENING	
"B" LEAF WIDTH	
"C" TAIL SECTION POST SPACING	
"D" OPENING SECTION PANEL WIDTH	
"E" TAIL SECTION PANEL WIDTH	
"F" MULLION INSIDE TO INSIDE SPACING	
"G" GATE LEAF HEIGHT	
"H" GRADE TO TOP HEIGHT	
"J" FINIAL HEIGHT	
"K" RIB SPACING CENTER TO CENTER	
GATE SLIDES AS SHOWN?	
COLOR/FINISH?	
MATERIAL?	
ADDITIONAL INFORMATION:	



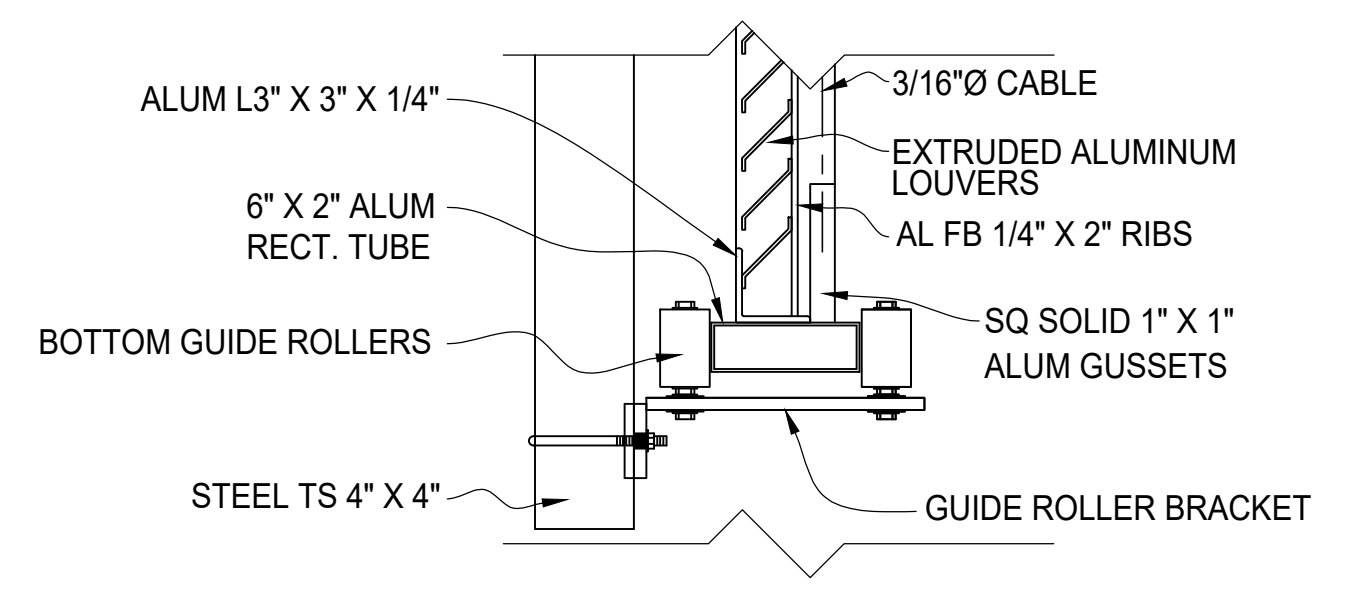
PLAN VIEW



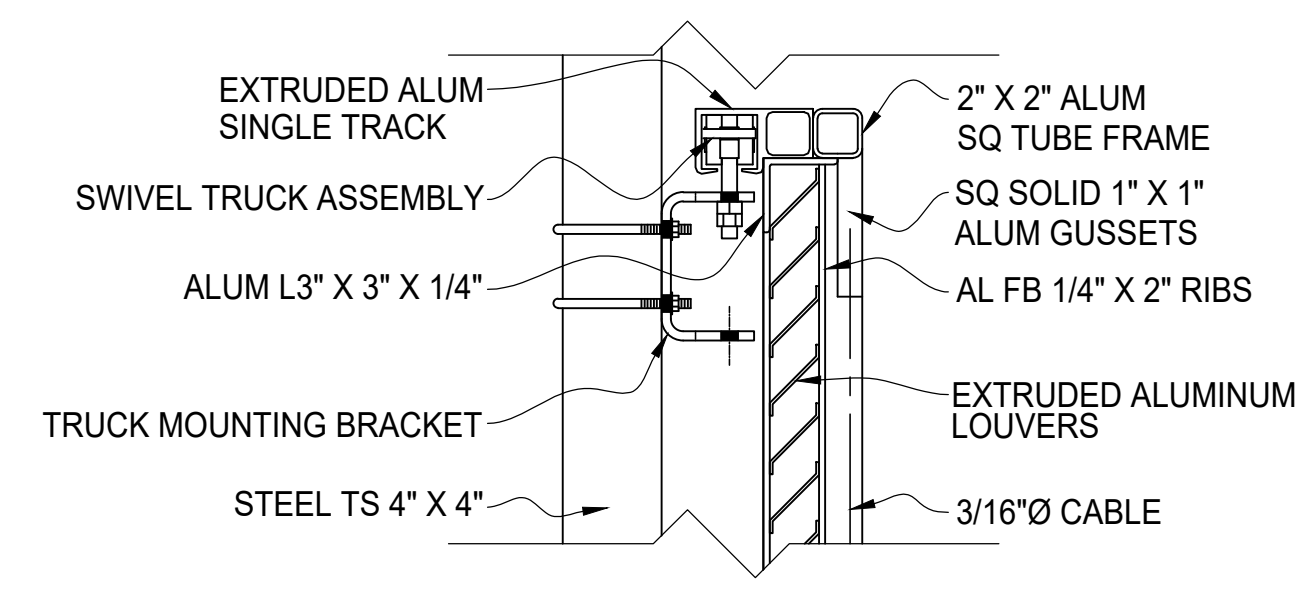
ELEVATIONVIEW  
SLIDING CANTILEVER GATE  
OUTSIDE LOOKING IN



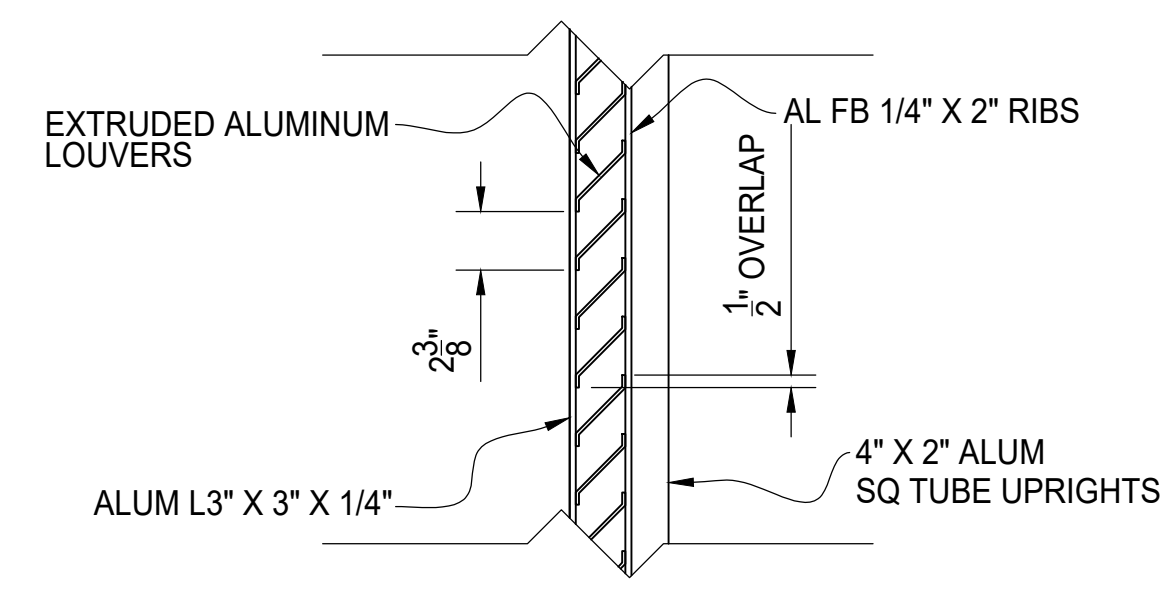
SECTION A



DETAIL B



DETAIL C



DETAIL D



TIGER 6' TALL  
HORIZONTAL LOUVER INFILL  
10' WIDE SINGLE TRACK  
SLIDE GATE ELEVATION