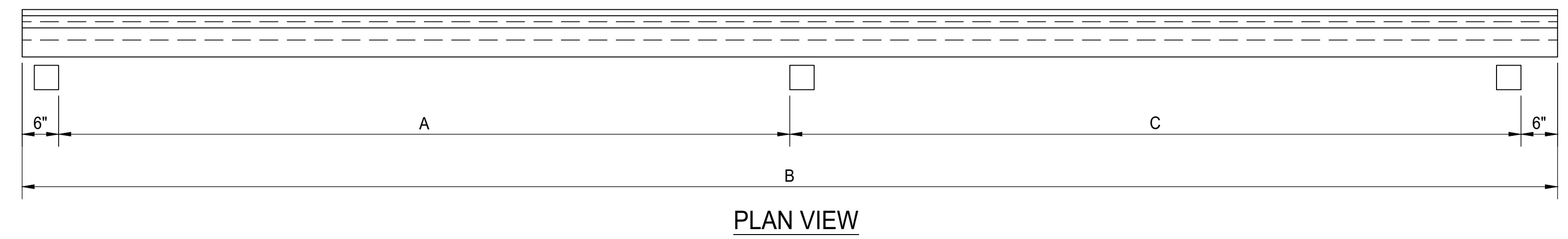
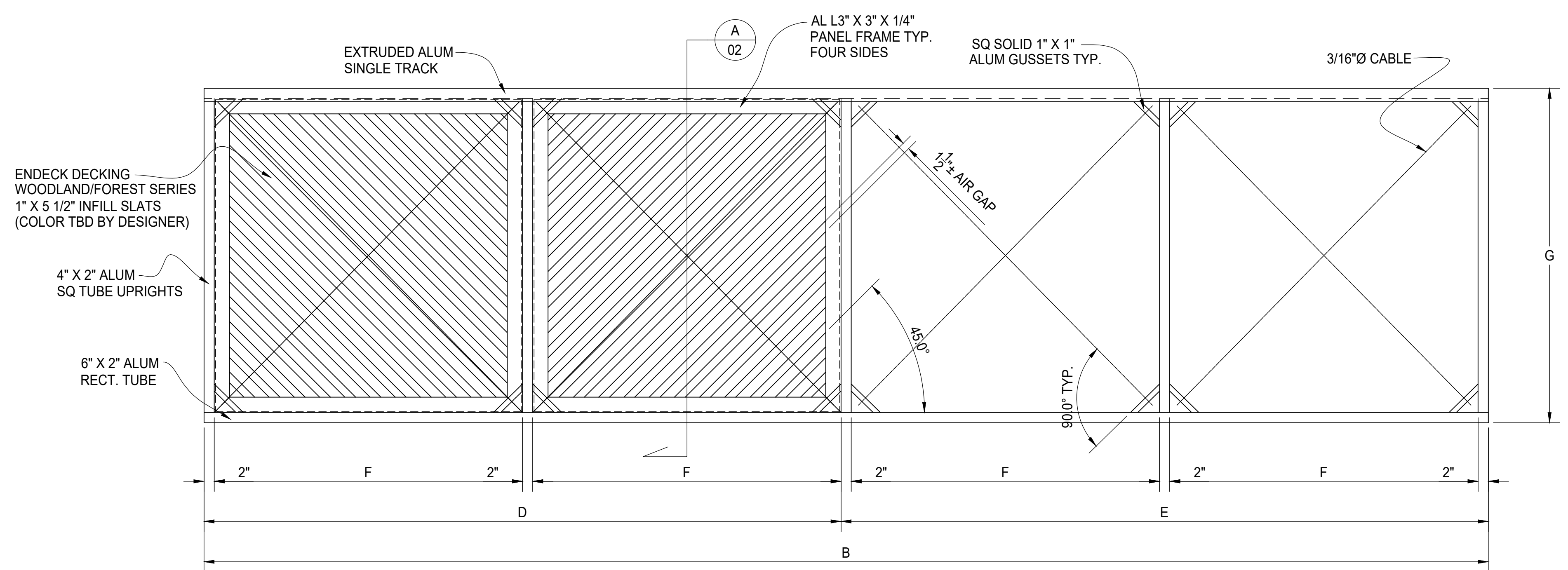


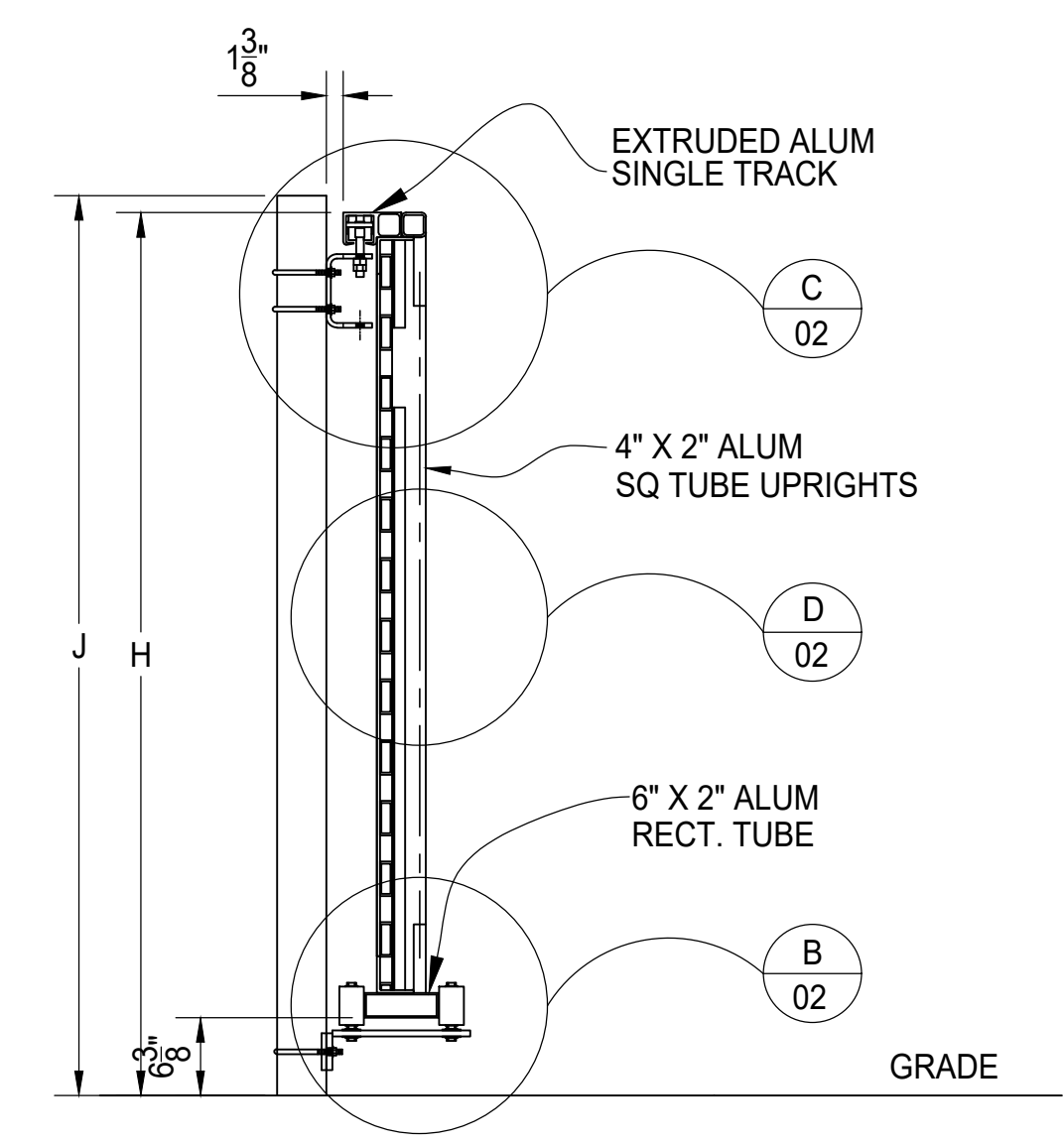
A INSIDE TO INSIDE CLEAR OPENING	
B LEAF WIDTH	
C TAIL SECTION POST SPACING	
D OPENING SECTION PANEL WIDTH	
E TAIL SECTION PANEL WIDTH	
F MULLION INSIDE TO INSIDE SPACING	
G GATE LEAF HEIGHT	
H GRADE TO TOP HEIGHT	
J FINIAL HEIGHT	
GATE SLIDES AS SHOWN?	
COLOR/FINISH?	
MATERIAL?	
ADDITIONAL INFORMATION:	



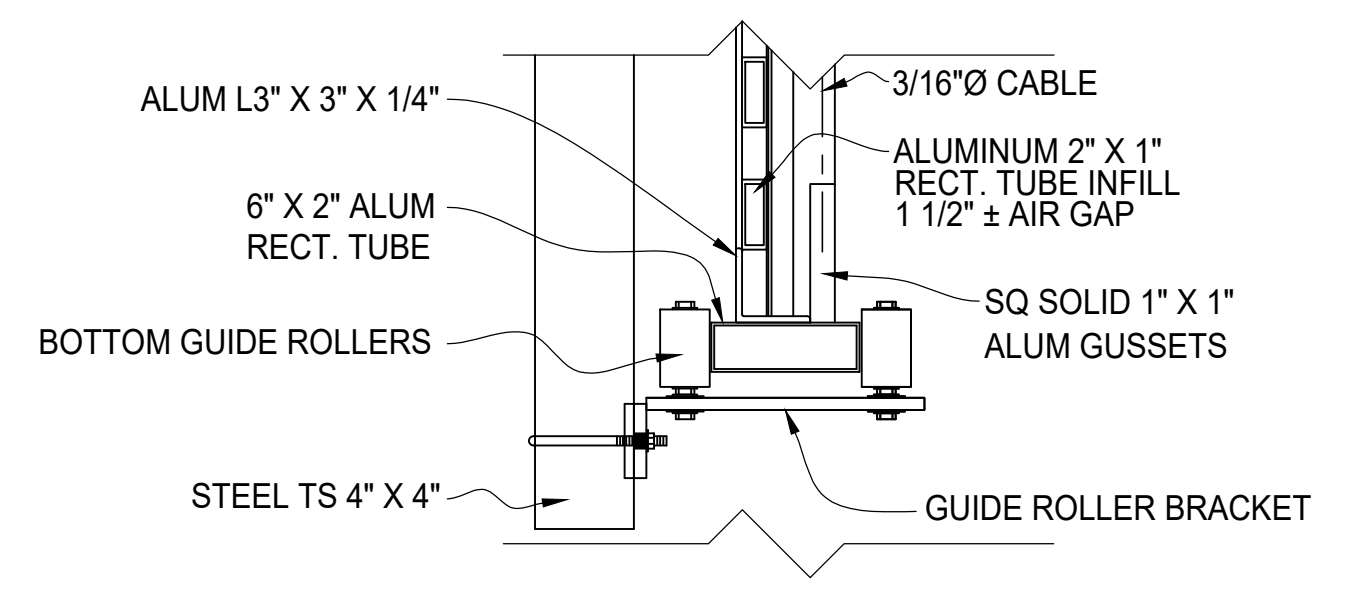
PLAN VIEW



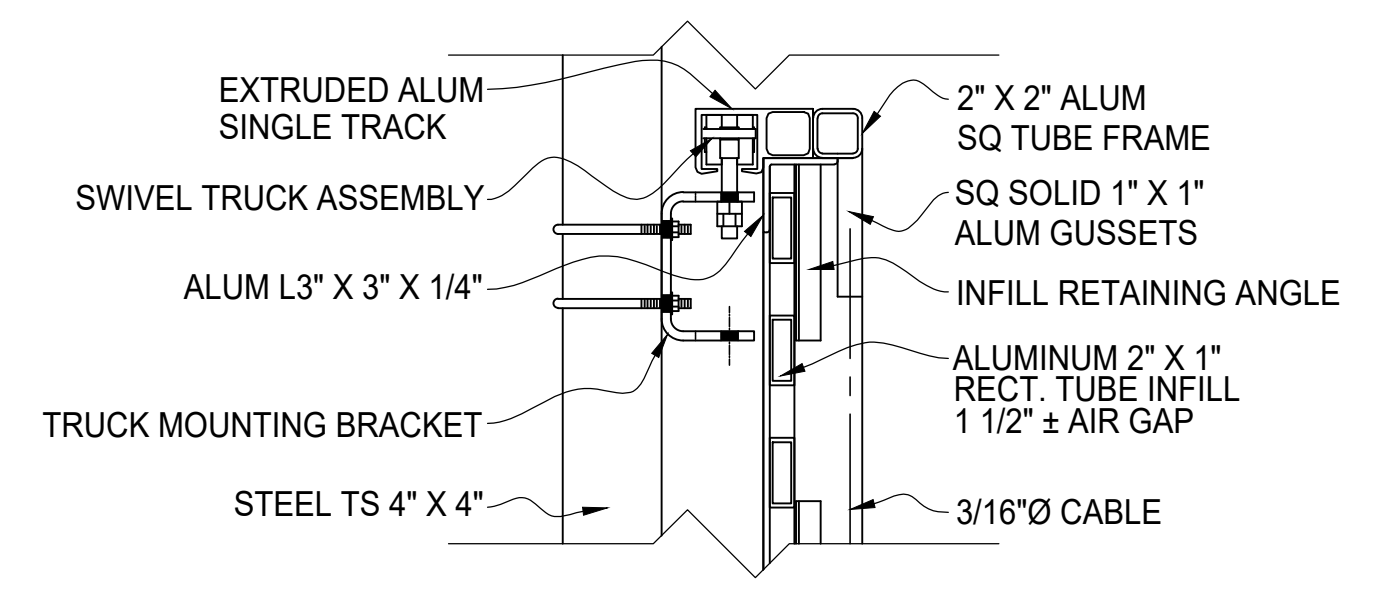
ELEVATIONVIEW
SLIDING CANTILEVER GATE
OUTSIDE LOOKING IN



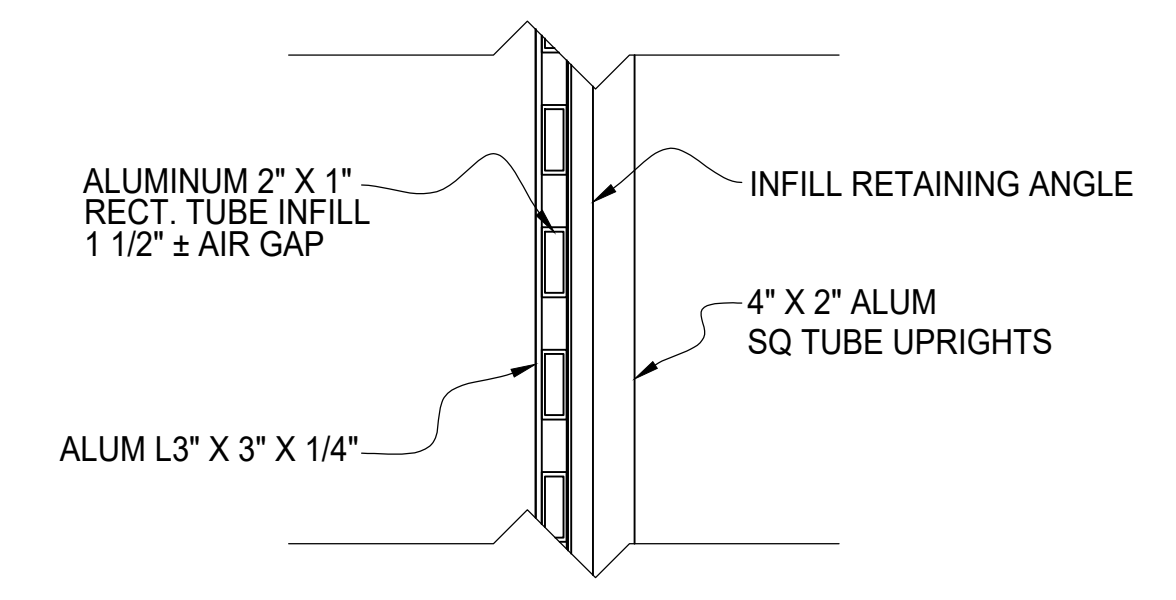
SECTION A



DETAIL B



DETAIL C



DETAIL D



TIGER 6' TALL
DIAGONAL LOUVER INFILL
10' WIDE SINGLE TRACK
SLIDE GATE ELEVATION