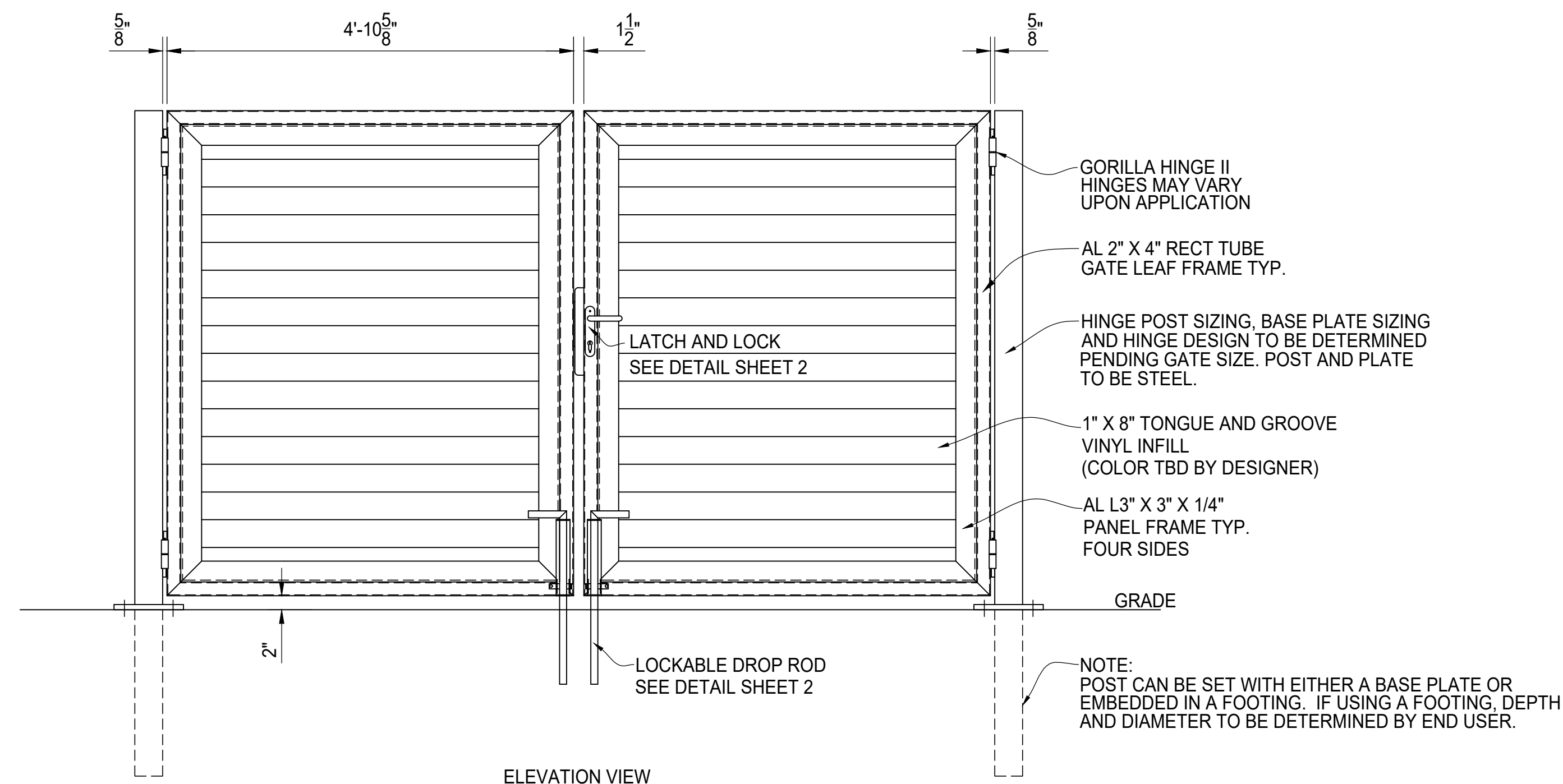
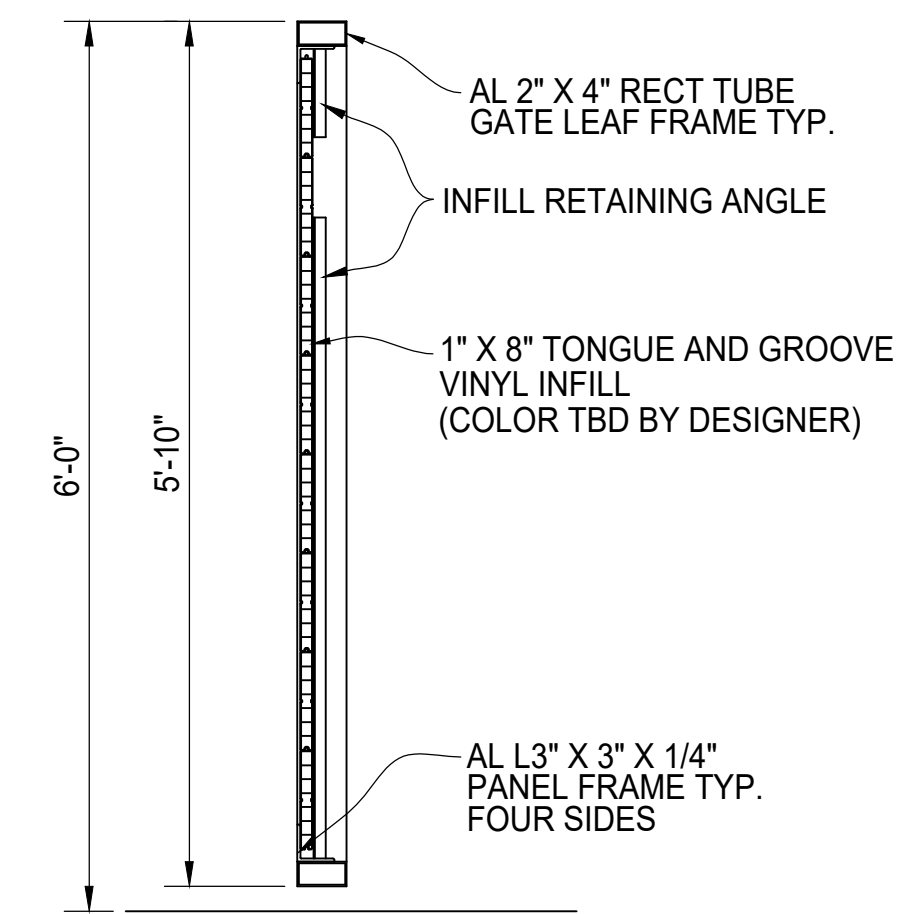


PLAN VIEW



ELEVATION VIEW

**DOUBLE DRIVE GATE ASSEMBLY**  
SEE DETAIL SHEET 2 FOR HINGE, LATCH AND DROP ROD



SIDE VIEW

**GATE SECTION**



**MAXIMUS 6' TALL  
VINYL PANEL INFILL  
10' WIDE DOUBLE DRIVE  
GATE ELEVATION**