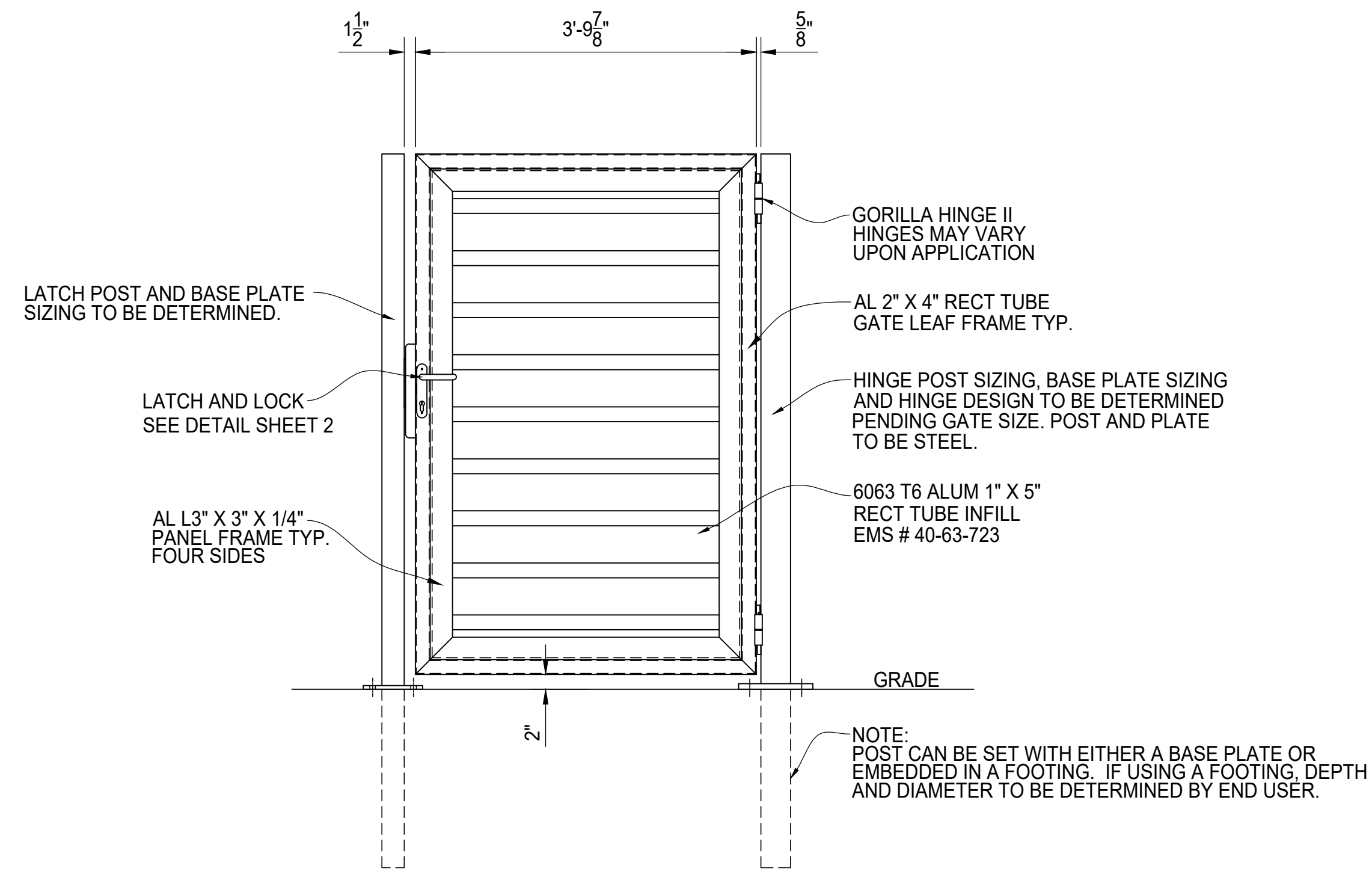
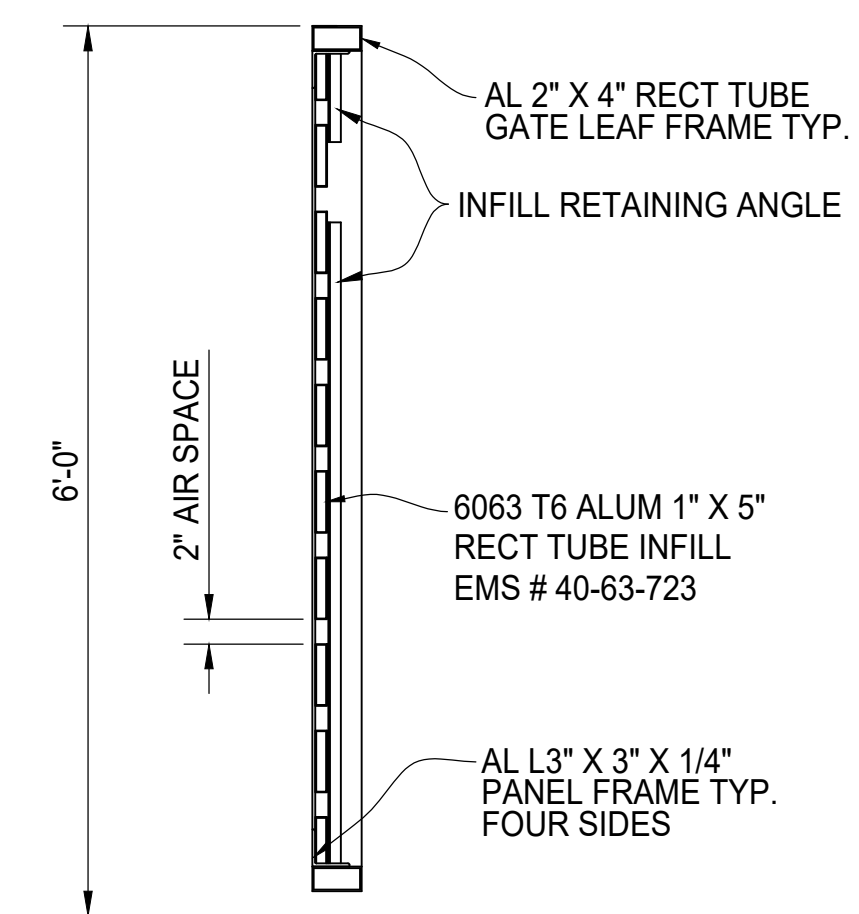


PLAN VIEW



ELEVATION VIEW

**SINGLE SWING GATE ASSEMBLY**  
 HINGE SIDE AND OPENING DIRECTION MAY VARY  
 SEE DETAIL SHEET 2 FOR HINGE AND LATCH



SIDE VIEW

**GATE SECTION**



**MAXIMUS 6' TALL  
 SEMI ALUMINUM INFILL  
 SINGLE SWING 4' WIDE GATE  
 GATE ELEVATION**