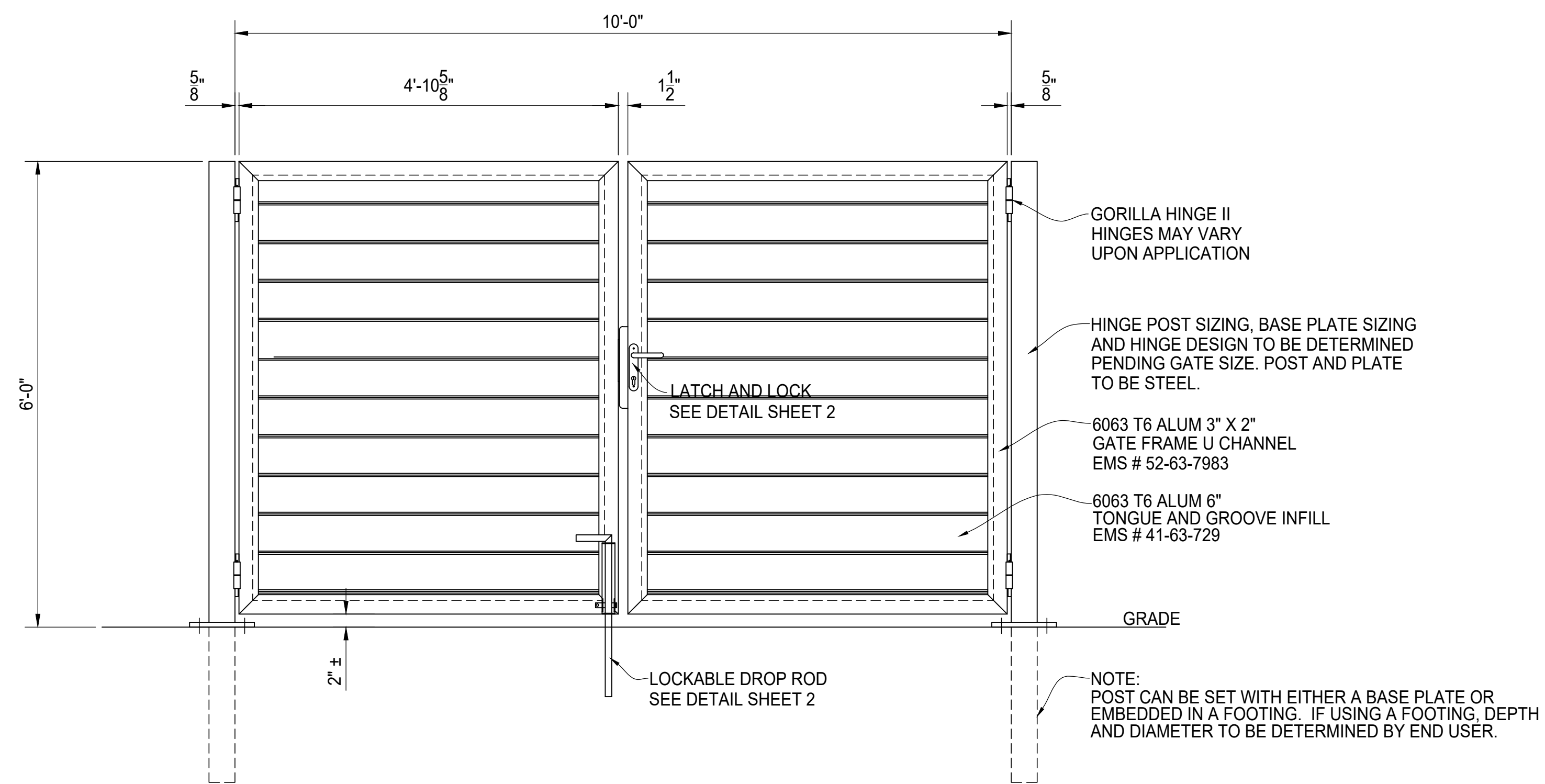


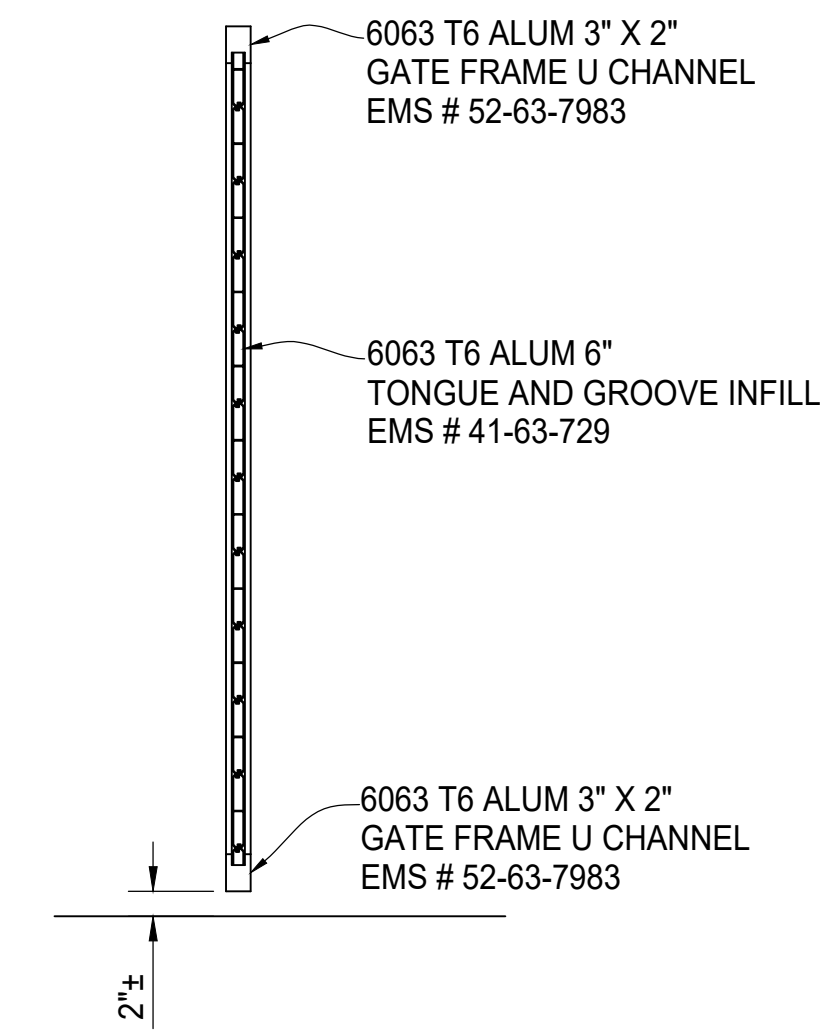
PLAN VIEW



ELEVATION VIEW

DOUBLE DRIVE GATE ASSEMBLY
SEE DETAIL SHEET 2 FOR HINGE, LATCH AND DROP ROD

- GORILLA HINGE II
HINGES MAY VARY UPON APPLICATION
- HINGE POST SIZING, BASE PLATE SIZING AND HINGE DESIGN TO BE DETERMINED PENDING GATE SIZE. POST AND PLATE TO BE STEEL.
- LATCH AND LOCK
SEE DETAIL SHEET 2
- 6063 T6 ALUM 3" X 2" GATE FRAME U CHANNEL
EMS # 52-63-7983
- 6063 T6 ALUM 6" TONGUE AND GROOVE INFILL
EMS # 41-63-729
- GRADE
- NOTE:
POST CAN BE SET WITH EITHER A BASE PLATE OR EMBEDDED IN A FOOTING. IF USING A FOOTING, DEPTH AND DIAMETER TO BE DETERMINED BY END USER.



SIDE VIEW

GATE SECTION



**SAMPSON 6' TALL
SOLID ALUMINUM INFILL
10' WIDE DOUBLE GATE
GATE ELEVATION**

AMERICAN FENCE	CLIENT
PROJECT #	PROJECT #
REFERENCE	
JOB #	
SCALE: N.T.S.	DRAWN BY: PB DATE: 03/19/2020 REV: SHEET # 01