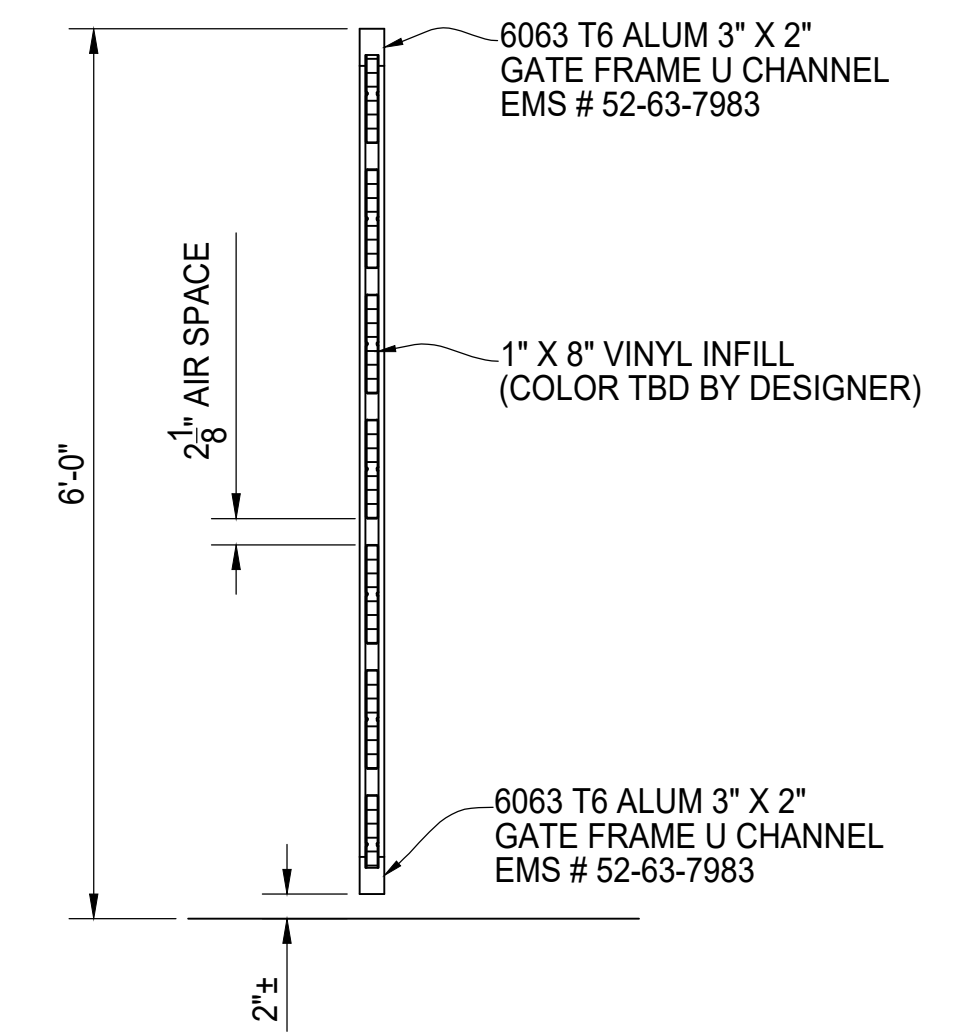
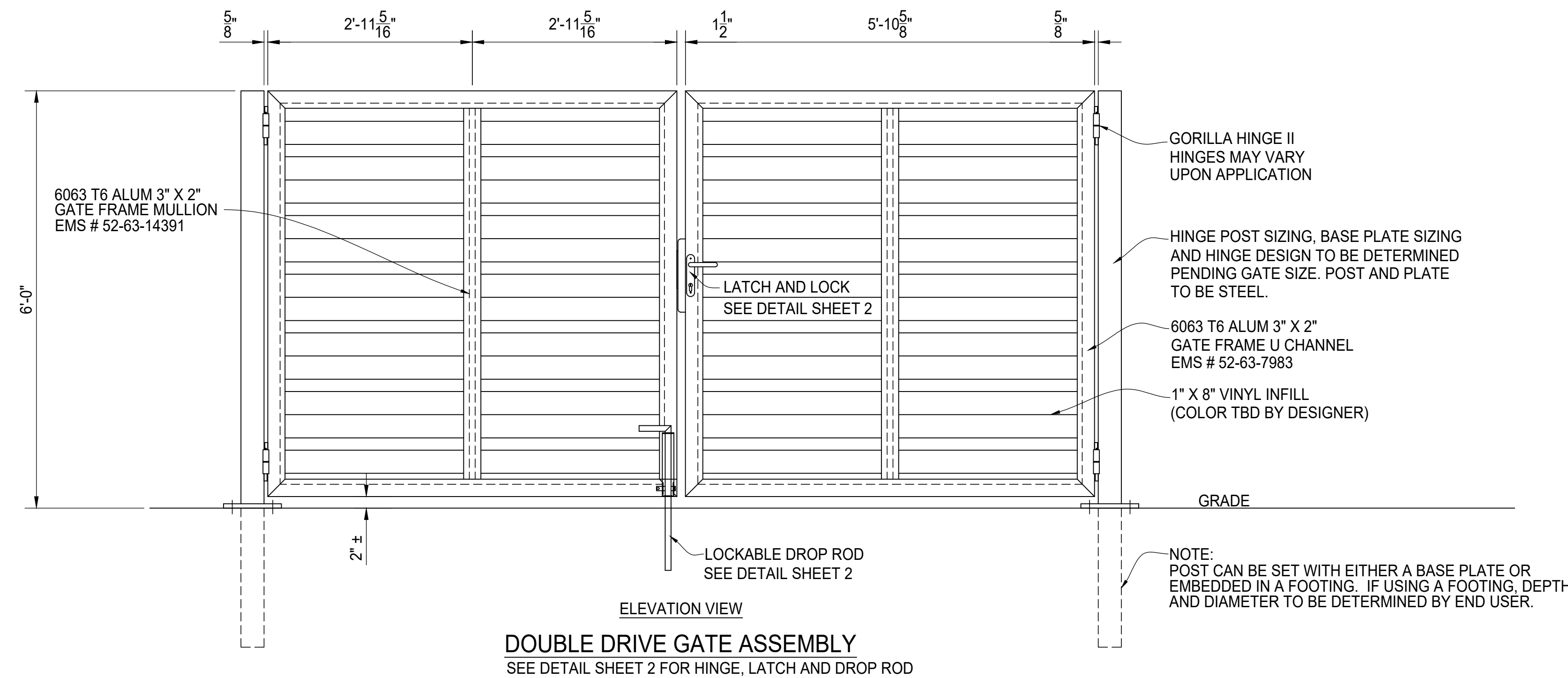


PLAN VIEW



SIDE VIEW  
GATE SECTION



SAMPSON 6' TALL  
SEMI VINYL INFILL  
12' WIDE DOUBLE GATE  
GATE ELEVATION