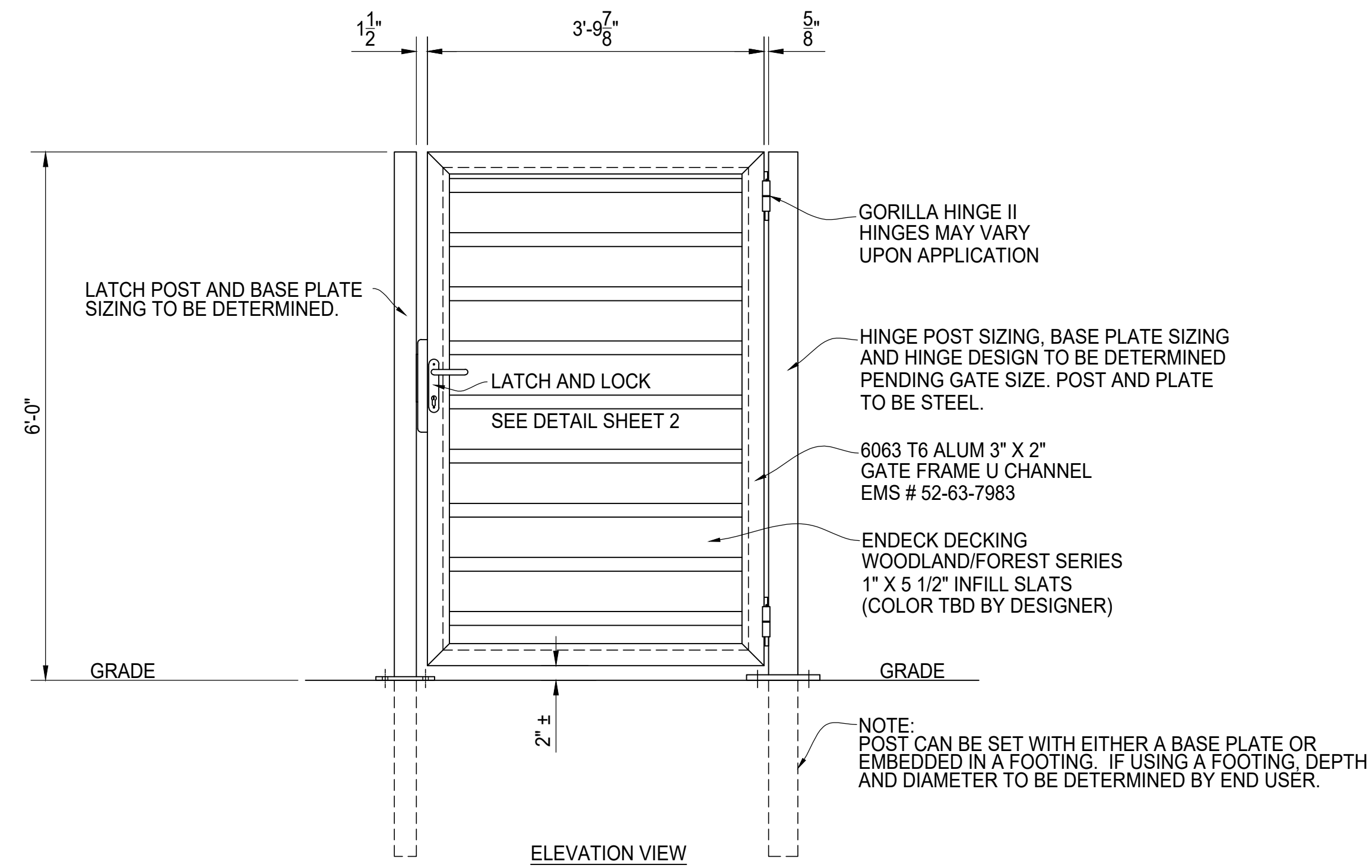
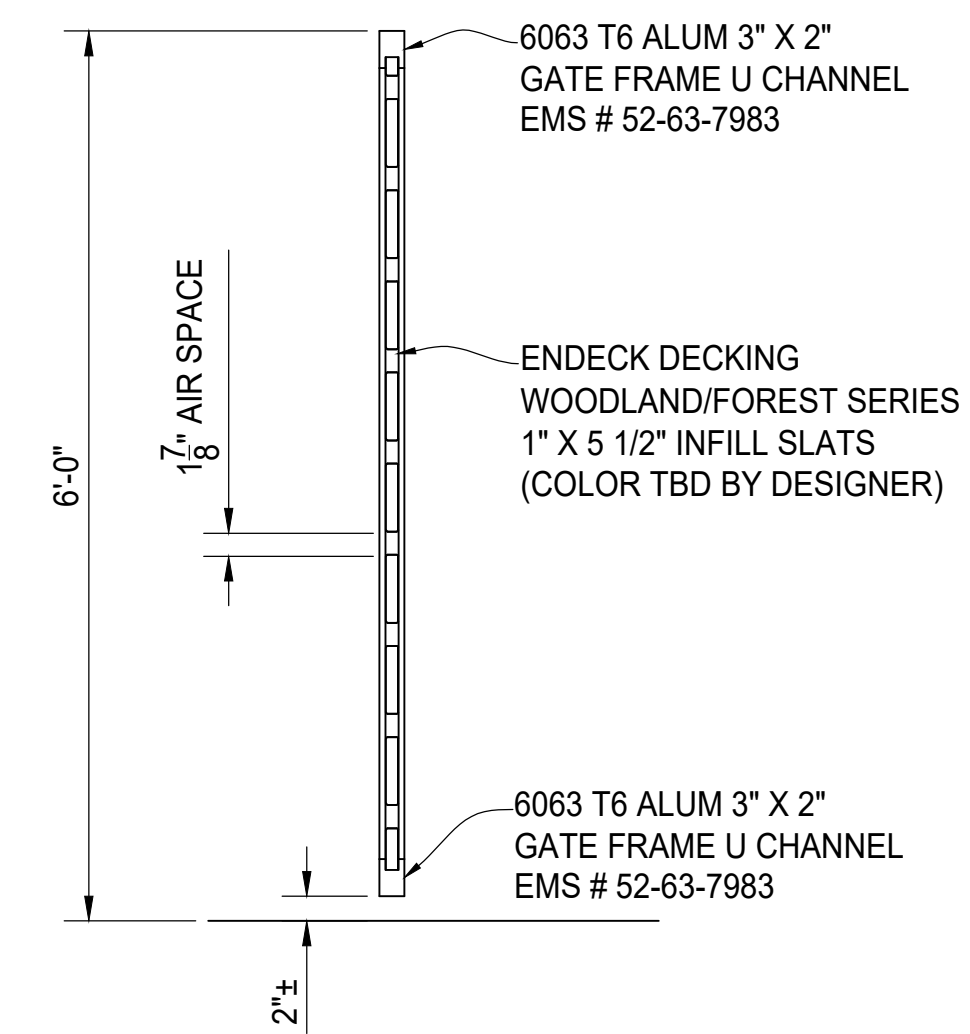


PLAN VIEW



ELEVATION VIEW

SINGLE SWING GATE ASSEMBLY
HINGE SIDE AND OPENING DIRECTION MAY VARY
SEE DETAIL SHEET 2 FOR HINGE AND LATCH



SIDE VIEW

GATE SECTION



SAMPSON 6' TALL
SEMI COMPOSITE INFILL
SINGLE SWING 4' WIDE GATE
GATE ELEVATION