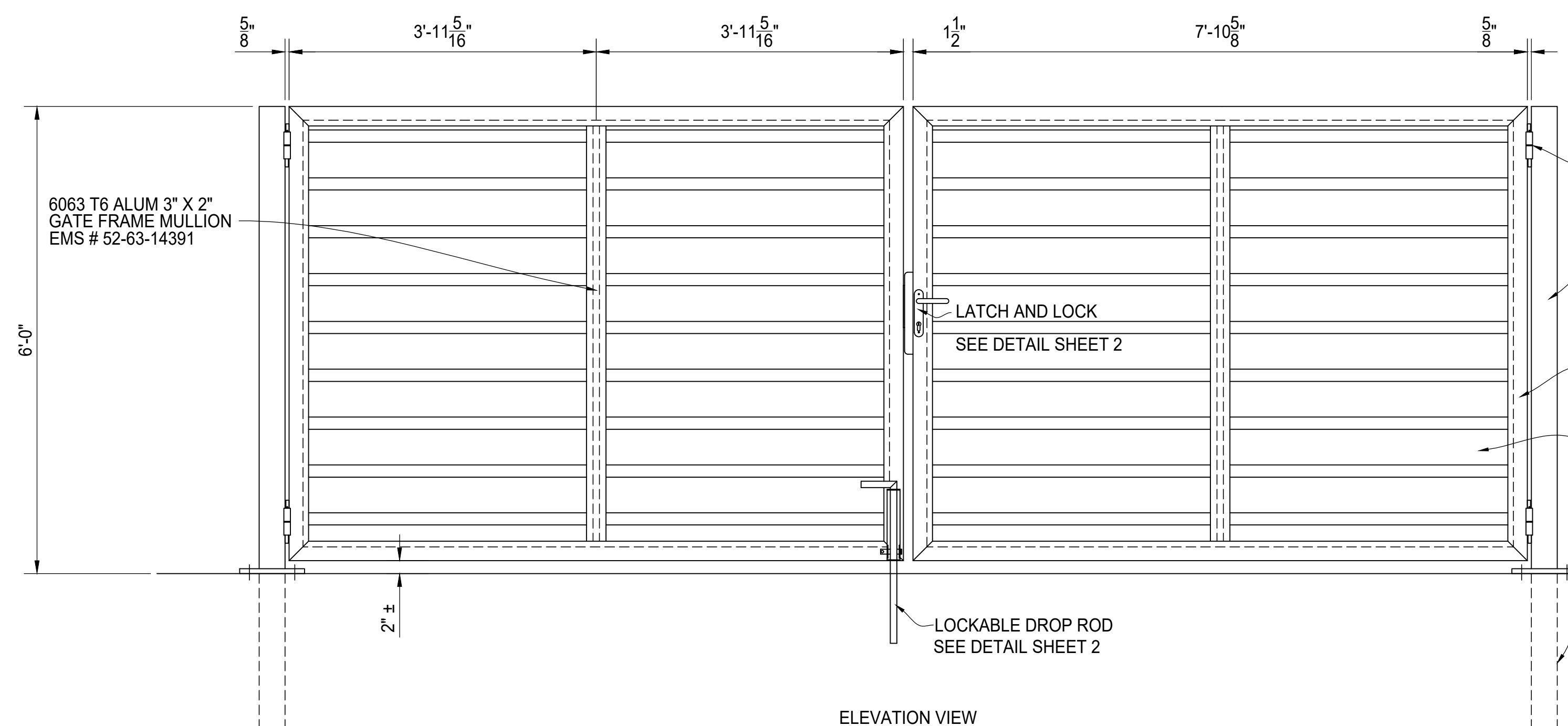


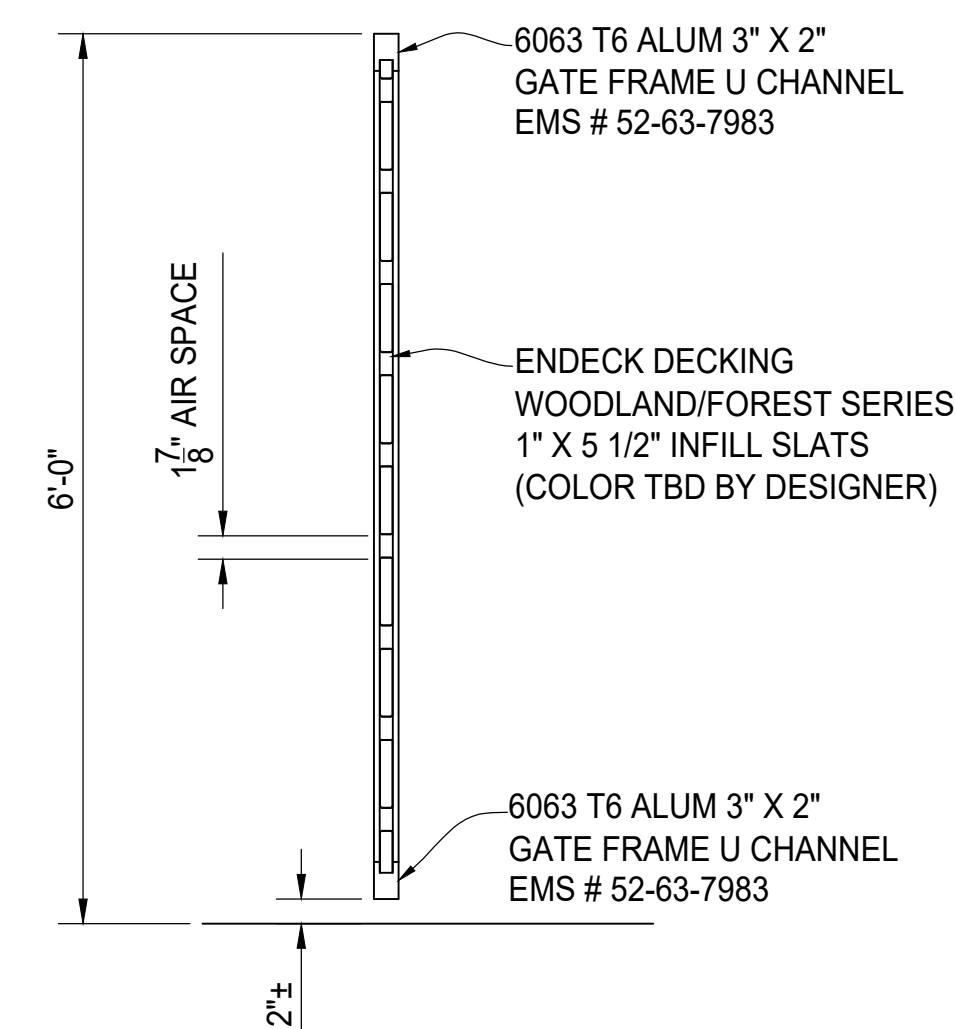
PLAN VIEW



ELEVATION VIEW

DOUBLE DRIVE GATE ASSEMBLY
SEE DETAIL SHEET 2 FOR HINGE, LATCH AND DROP ROD

- GORILLA HINGE II
HINGES MAY VARY
UPON APPLICATION
- HINGE POST SIZING, BASE PLATE SIZING
AND HINGE DESIGN TO BE DETERMINED
PENDING GATE SIZE. POST AND PLATE
TO BE STEEL.
- 6063 T6 ALUM 3" X 2"
GATE FRAME U CHANNEL
EMS # 52-63-7983
- ENDECK DECKING
WOODLAND/FOREST SERIES
1" X 5 1/2" INFILL SLATS
(COLOR TBD BY DESIGNER)
- LATCH AND LOCK
SEE DETAIL SHEET 2
- LOCKABLE DROP ROD
SEE DETAIL SHEET 2
- NOTE:
POST CAN BE SET WITH EITHER A BASE PLATE OR
EMBEDDED IN A FOOTING. IF USING A FOOTING, DEPTH
AND DIAMETER TO BE DETERMINED BY END USER.



SIDE VIEW
GATE SECTION



**SAMPSON 6' TALL
SEMI COMPOSITE INFILL
16' WIDE DOUBLE GATE
GATE ELEVATION**