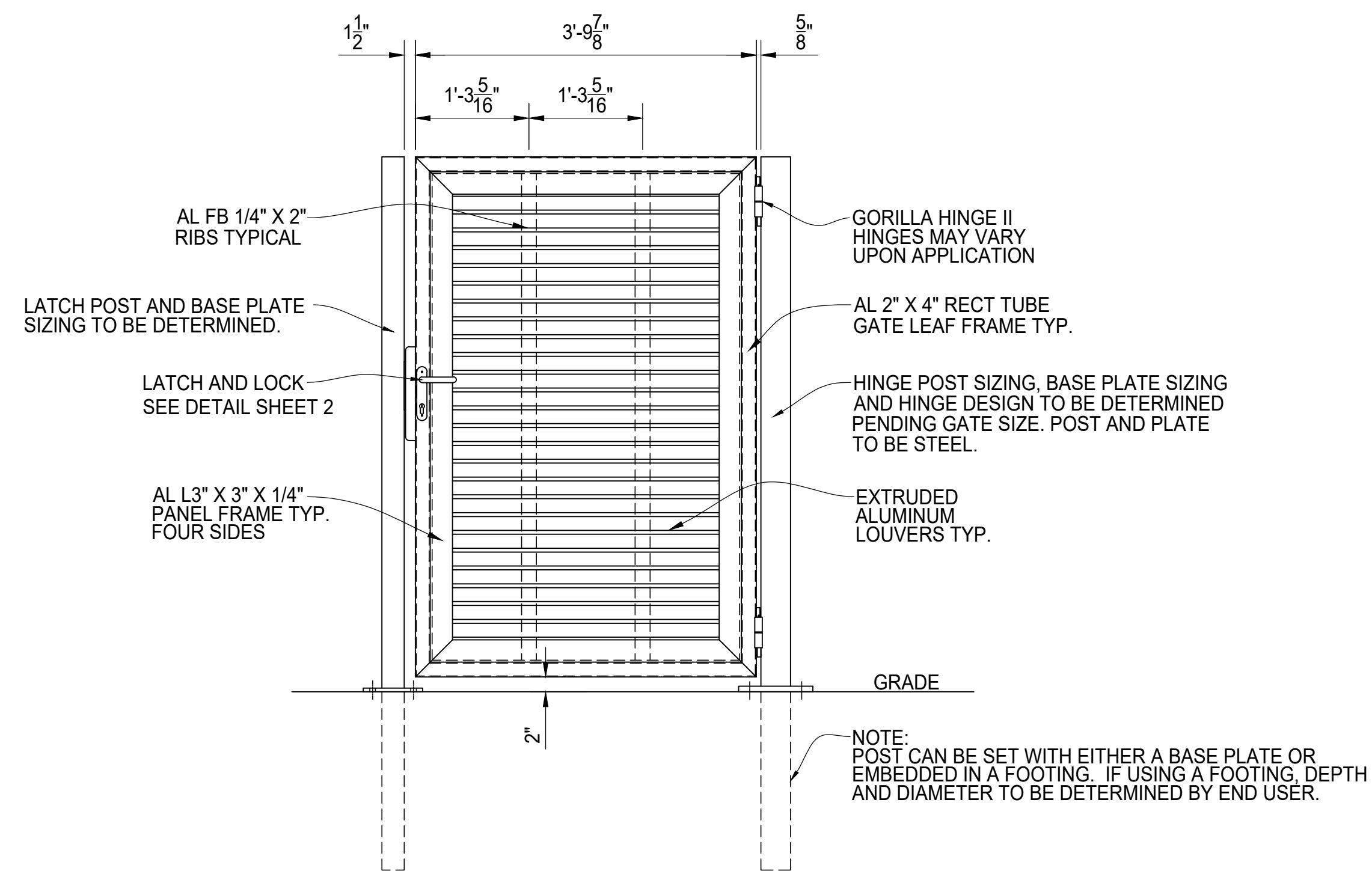


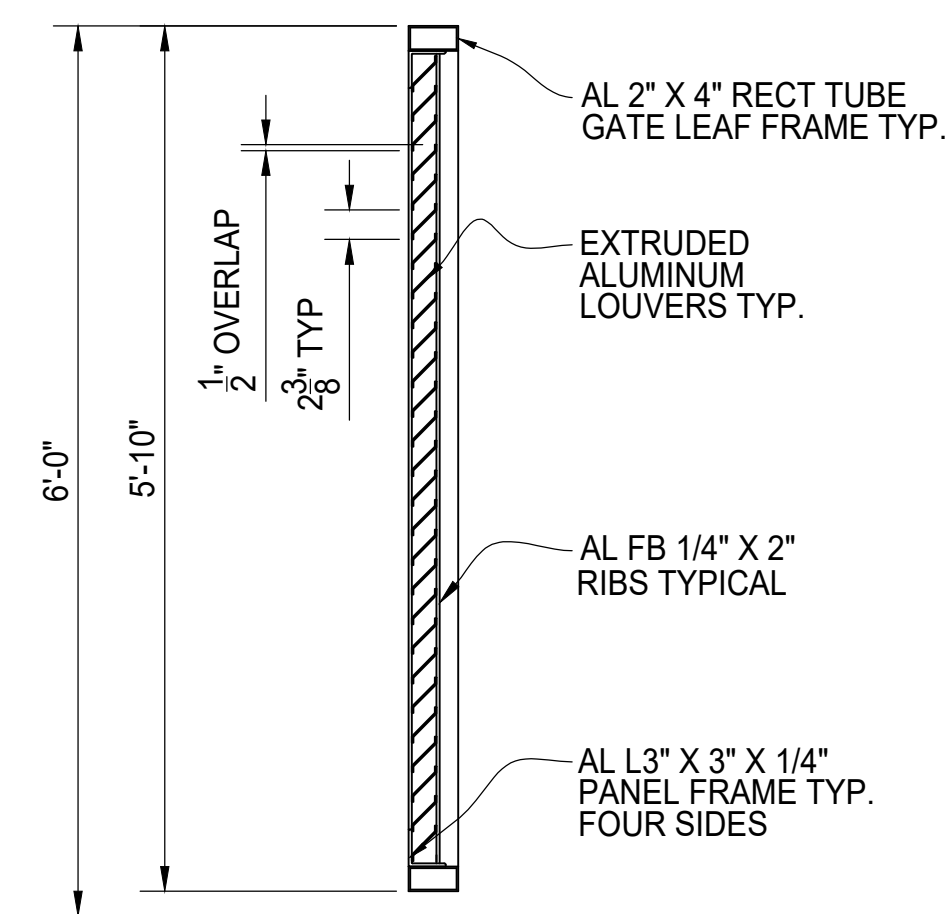
PLAN VIEW



ELEVATION VIEW

SINGLE SWING GATE ASSEMBLY

HINGE SIDE AND OPENING DIRECTION MAY VARY
SEE DETAIL SHEET 2 FOR HINGE AND LATCH



SIDE VIEW

GATE SECTION



**MAXIMUS 6' TALL
 HORIZONTAL LOUVER INFILL
 SINGLE SWING 4' WIDE GATE
 GATE ELEVATION**