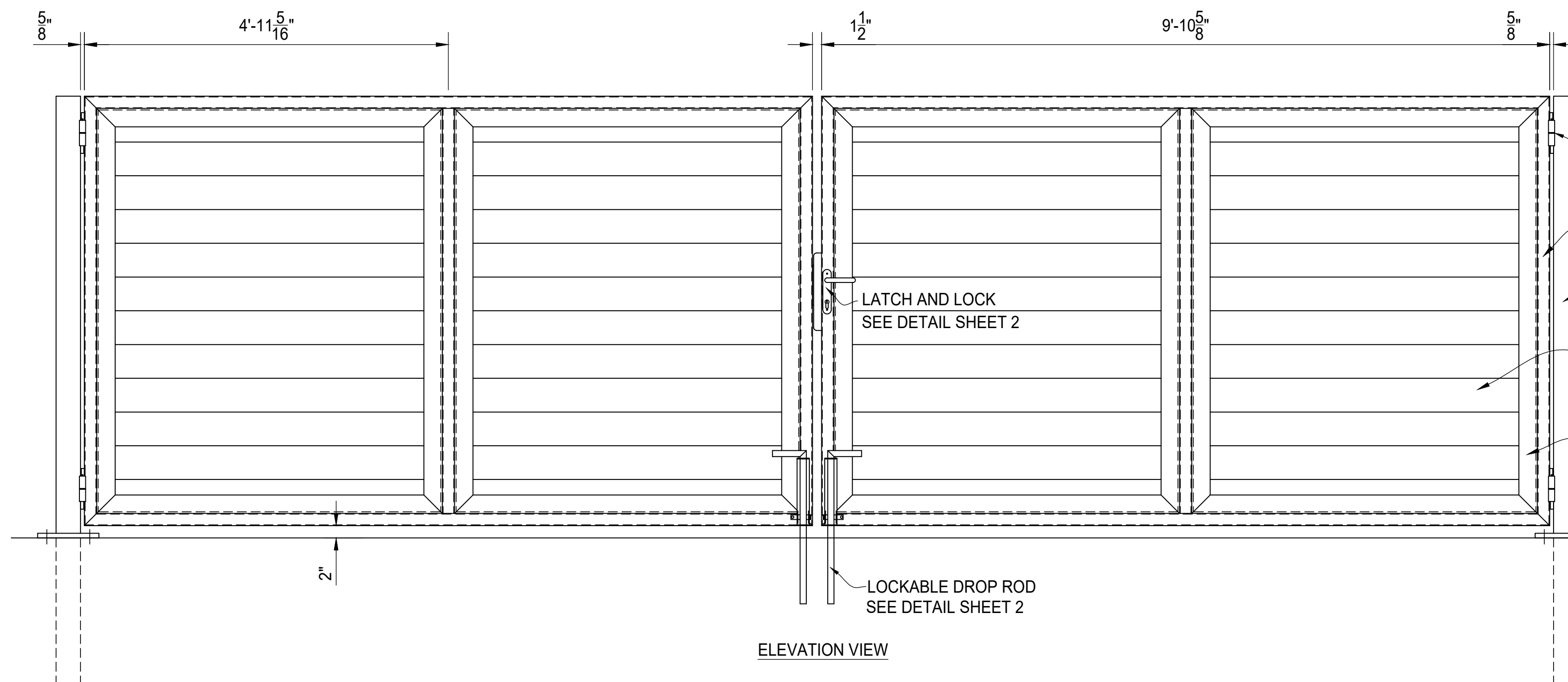


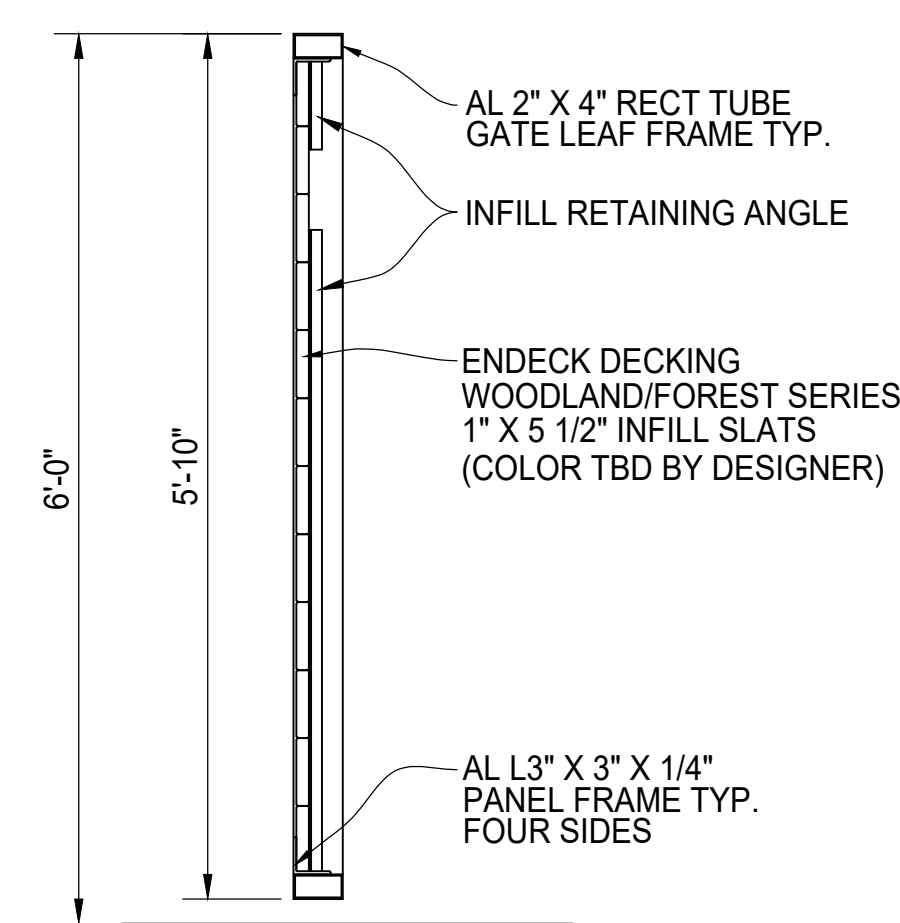
PLAN VIEW



ELEVATION VIEW

DOUBLE DRIVE GATE ASSEMBLY  
SEE DETAIL SHEET 2 FOR HINGE, LATCH AND DROP ROD

- GORILLA HINGE II  
HINGES MAY VARY  
UPON APPLICATION
- AL 2" X 4" RECT TUBE  
GATE LEAF FRAME TYP.
- HINGE POST SIZING, BASE PLATE SIZING  
AND HINGE DESIGN TO BE DETERMINED  
PENDING GATE SIZE. POST AND PLATE  
TO BE STEEL.
- ENDECK DECKING  
WOODLAND/FOREST SERIES  
1" X 5 1/2" INFILL SLATS  
(COLOR TBD BY DESIGNER)
- AL L3" X 3" X 1/4"  
PANEL FRAME TYP.  
FOUR SIDES
- GRADE
- LATCH AND LOCK  
SEE DETAIL SHEET 2
- LOCKABLE DROP ROD  
SEE DETAIL SHEET 2
- NOTE:  
POST CAN BE SET WITH EITHER A BASE PLATE OR  
EMBEDDED IN A FOOTING. IF USING A FOOTING, DEPTH  
AND DIAMETER TO BE DETERMINED BY END USER.



SIDE VIEW

GATE SECTION



MAXIMUS 6' TALL  
COMPOSITE HORIZONTAL INFILL  
20' WIDE DOUBLE DRIVE  
GATE ELEVATION