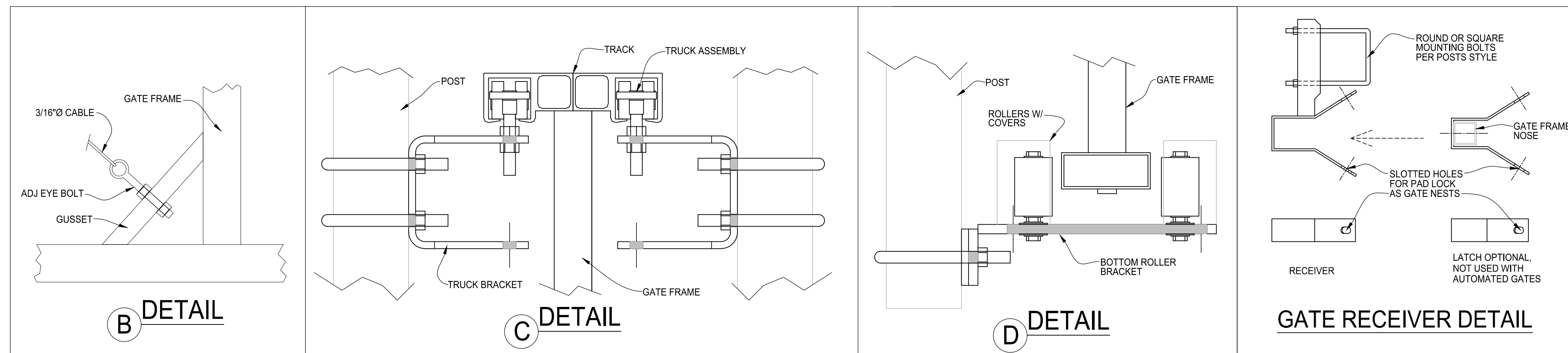


ELEVATION VIEW ALUMINUM CANTILEVER GATE
OUTSIDE LOOKING IN

| CRITICAL DIMENSIONS | | | |
|--|---------------------|--------------|-----------|
| | DESCRIPTION | FORMULA | DIMENSION |
| "A" | CLEAR OPENING | A | |
| "B" | COUNTERBALANCE | A/2 | |
| "C" | OVERALL GATE LENGTH | A + B + 12" | |
| "D" | TOP OF GATE HEIGHT | D | |
| "E" | POST HEIGHT | E | |
| PICKET SIZE | | | |
| ADJOINING FENCE HEIGHT | | | |
| BARB ARMS REQUIRED | | YES | NO |
| GATE STORAGE IN OPEN POSITION (OUTSIDE LOOKING IN) | | LEFT (SHOWN) | RIGHT |



AMERICAN FENCE COMPANY
 ORNAMENTAL FLAT TOP
 (1) DOUBLE TRACK ALUM. CANT. GATE