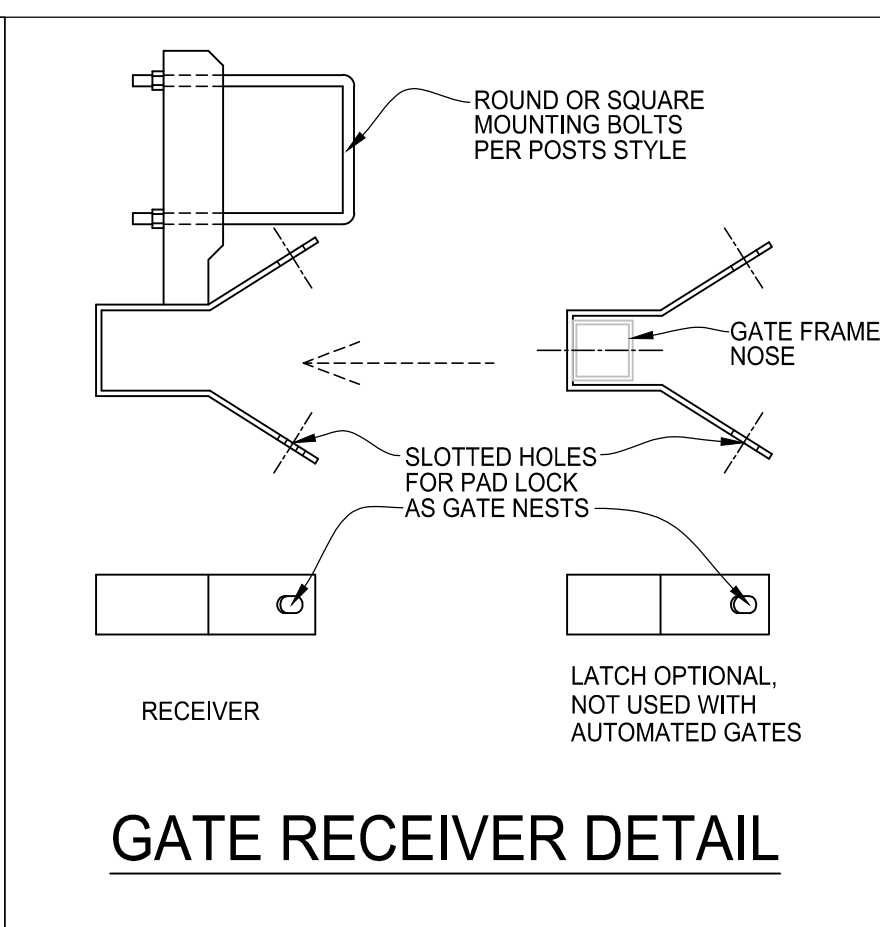
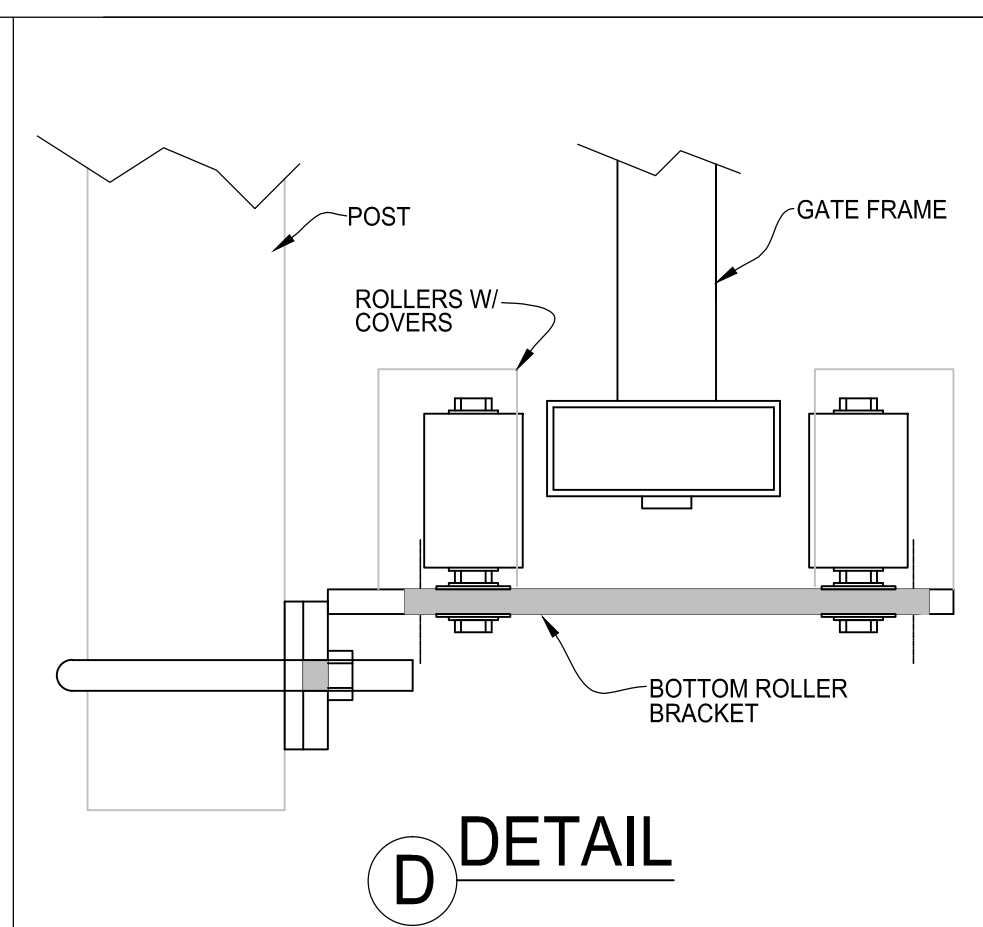
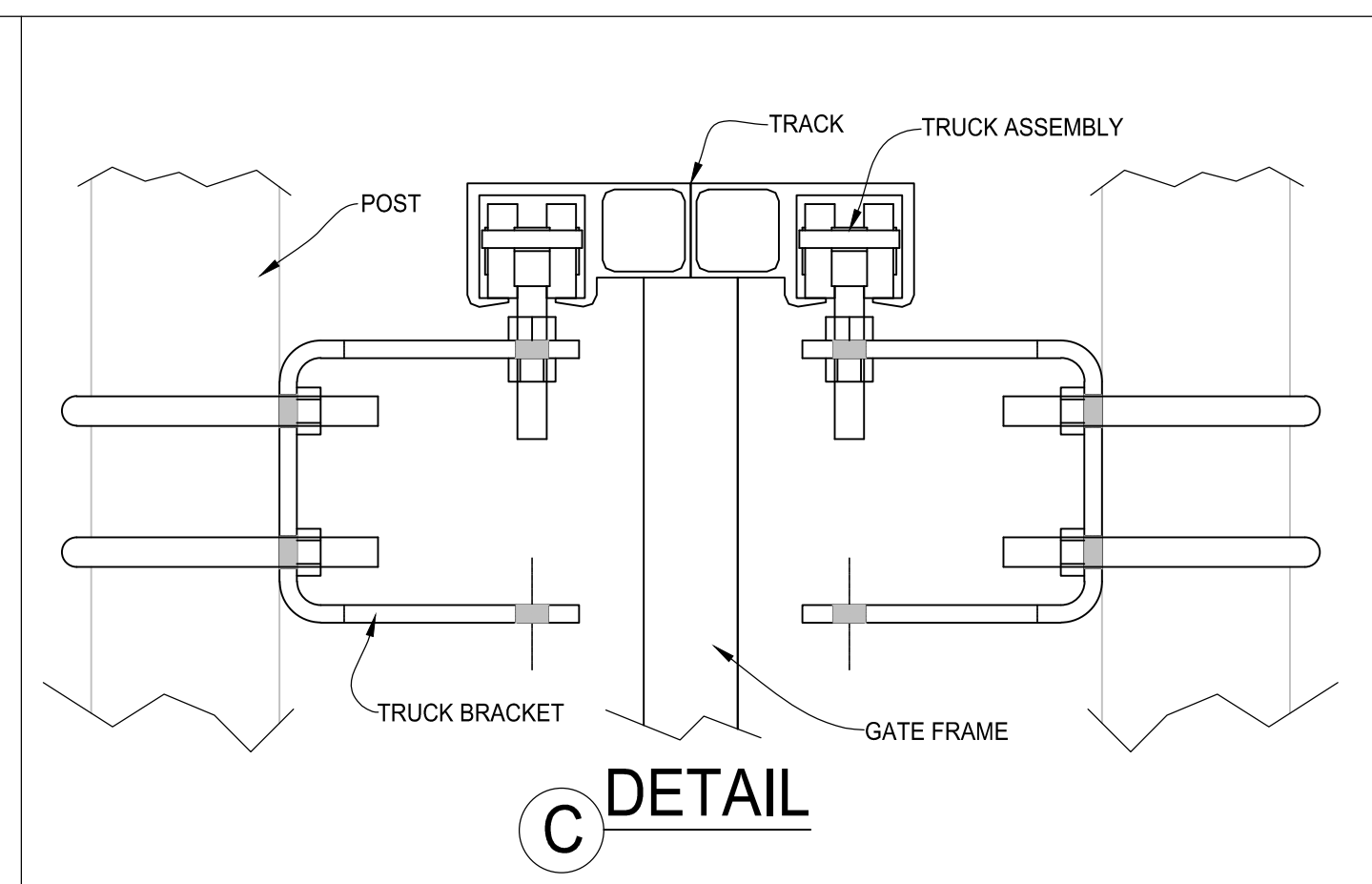
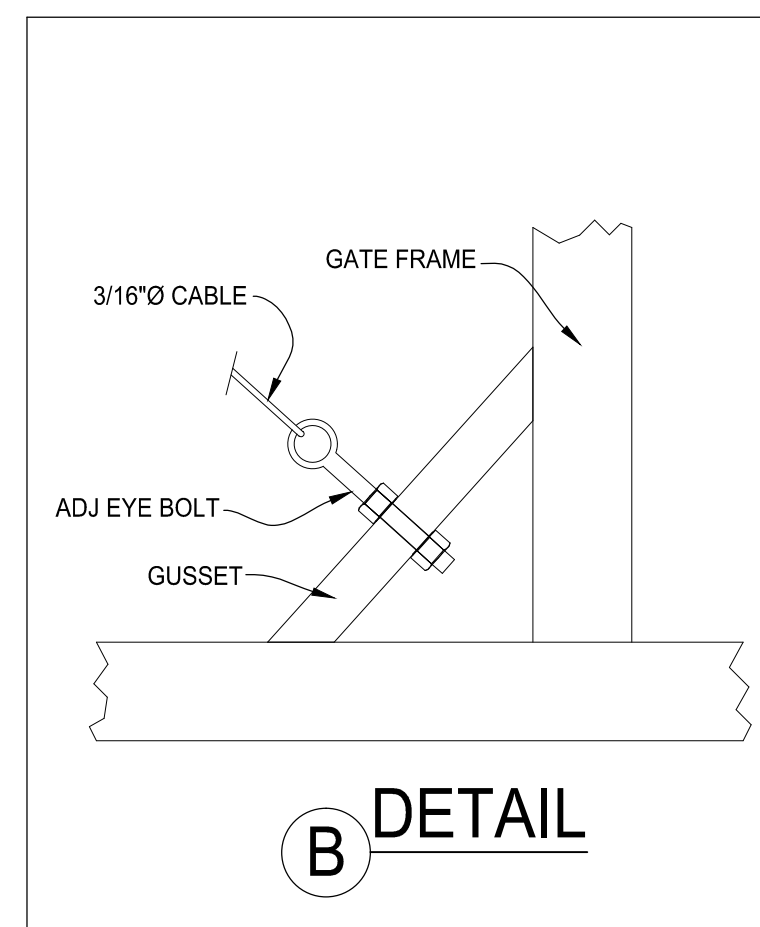


**ELEVATION VIEW ALUMINUM CANTILEVER GATE
OUTSIDE LOOKING IN**

CRITICAL DIMENSIONS			
	DESCRIPTION	FORMULA	DIMENSION
"A"	CLEAR OPENING	A	
"B"	COUNTERBALANCE	A/2	
"C"	OVERALL GATE LENGTH	A + B + 12"	
"D"	TOP OF GATE HEIGHT	D	
"E"	POST HEIGHT	E	
ADJOINING FENCE HEIGHT			
BARB ARMS REQUIRED		YES	NO
GATE STORAGE IN OPEN POSITION (OUTSIDE LOOKING IN)		LEFT (SHOWN)	RIGHT



AMERICAN FENCE COMPANY

**CHAIN LINK
 (1) DOUBLE TRACK ALUM. CANT. GATE**